

7-069 Profile cylinder

Inserts, Stainless Steel

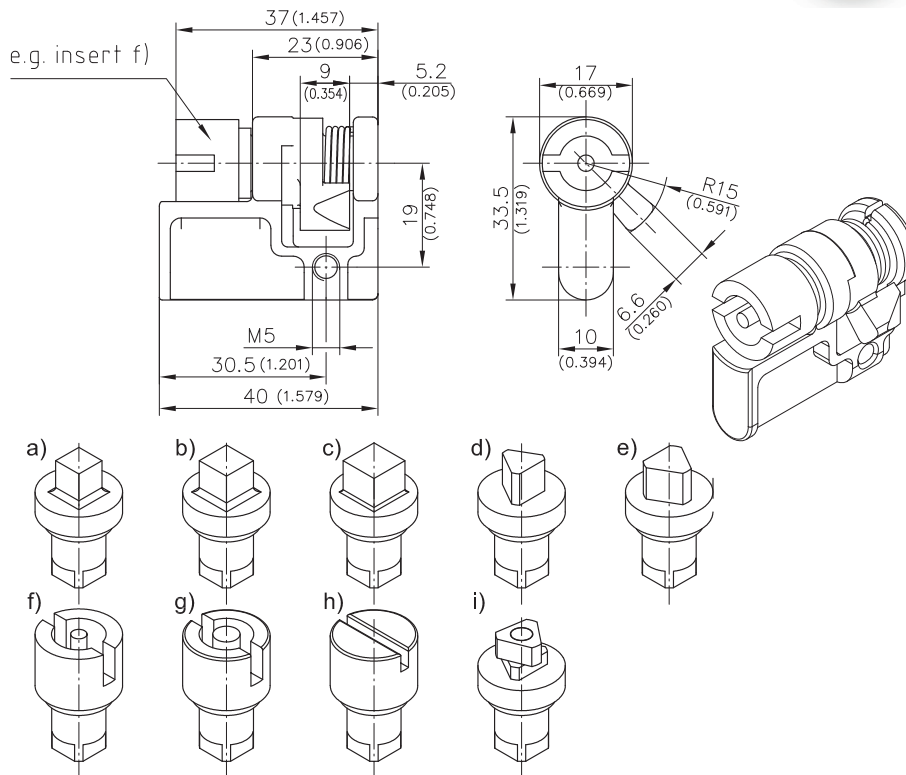
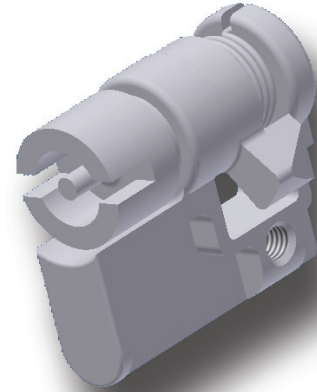


Product Notes:

- Profile cylinder with insert for swinghandles - see Product System 7-060 and 7-066
- Length - 40mm (1.575)
- Spring loaded clip-in cam
- Option "i" - Increased security due to free rotating 8mm triangular on top of insert which can only be opened with the suitable triangular key
- Zinc die - see Product System 2-140

Material:

- **Housing, cam and insert:** Stainless Steel AISI 316



Profile cylinder with insert	Part No.	See Page
a) Square 6mm	211-9226	
b) Square 7mm	211-9227	
c) Square 8mm	211-9228	
d) Triangular 7mm	211-9229	
e) Triangular 8mm	211-9230	
f) Double bit 3mm pin	211-9231	
g) Double bit 5mm pin	211-9232	
h) Slotted 2x4mm deep	211-9233	
i) Security insert with free rotating 8mm triangular front part.	211-9242*	
Key for insert		10.18
Other profile cylinders		02.65

* Price and delivery time on request