

2-300 Swinghandle RS 130

Key or tool actuation, IP65, Cutout 105, Round rods

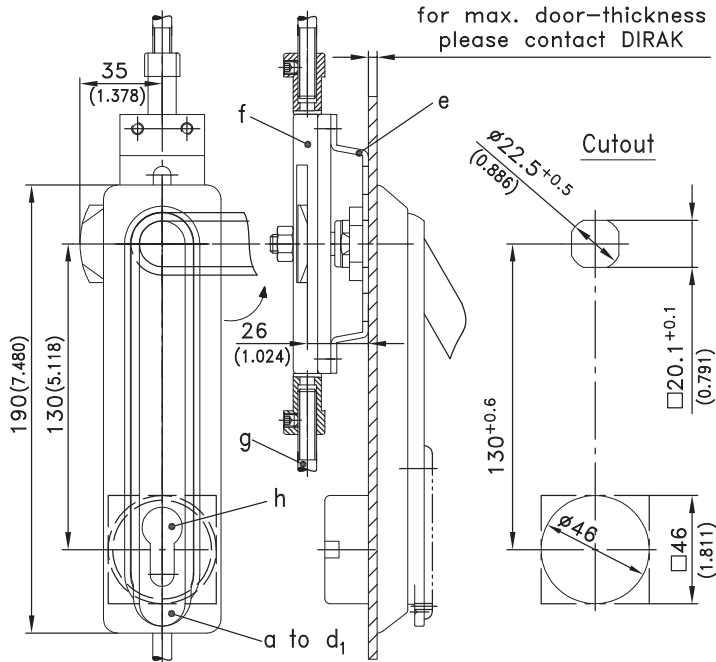


Product Notes:

- Uses round rods
- Long version - 130mm (5.118)
Used with rod latches - see Product System 1-400, stroke 18mm
- Also available in a shorter version - 105mm (4.134)
Used with rod latches - see Product System 1-400, stroke 13mm
Part No. for "short" versions - contact DIRAK
- Water and dust tight according to IP65, DIN EN 60529

Material:

- **Swinghandle:** PA, Black or Grey version (RAL 7032) on request or zinc die, black
- **Dish:** PA, Black
- **Cover:** PA, Black or Zinc Die, Black
- **Round and square cap:** PA, Black
- **Lock support:** Steel, Zinc Plated



| | With Dustcover | | | See Page |
|--|-------------------|-------------------|---------------------|--------------|
| | Without Dustcover | Standard PA Black | Reinforced PA Black | |
| a) Swinghandle, PA Black, Round-cap Ø46 for profile cylinder 40mm long | 207-9035 | 207-9036 | 207-9037 | 207-9061 |
| a1) as a), but 5mm raised for profile cylinder 45mm long | 207-9041 | 207-9042 | 207-9043 | 207-9063 |
| b) Swinghandle, Zinc Die Black for profile cylinder 40mm long | | | | |
| Round-cap Ø46 | 207-9038 | 207-9039 | 207-9040 | 207-9062 |
| b1) as b), but 5mm raised for profile cylinder 45mm long | 207-9044 | 207-9045 | 207-9046 | 207-9064 |
| c) Swinghandle, PA Black for profile cylinder 40mm long | | | | |
| Square-cap □46 | 207-9323 | 207-9327 | 207-9331 | 207-9335 |
| c1) as c), but 5mm raised for profile cylinder 45mm long | 207-9325 | 207-9329 | 207-9333 | 207-9337 |
| d) Swinghandle, Zinc Die Black for profile cylinder 40mm long | | | | |
| Square-cap □46 | 207-9324 | 207-9328 | 207-9332 | 207-9336 |
| d1) as d), but 5mm raised for profile cylinder 45mm long | 207-9326 | 207-9330 | 207-9334 | 207-9338 |
| Optional: | | | | |
| e) Lock support A26 RH/LH | - | - | - | 235-1002 |
| f) Rod latch | | | | 03.32, 03.37 |
| g) Round rods | | | | 03.46 |
| Rod guides | | | | 03.52, 03.53 |
| h) Profile cylinder | | | | 02.65 |