

# 7-061 NT Swinghandle FS PrC

Key or tool operable, IP65, Stainless Steel, Cutout C, Flat rods, Optional screw down key cover

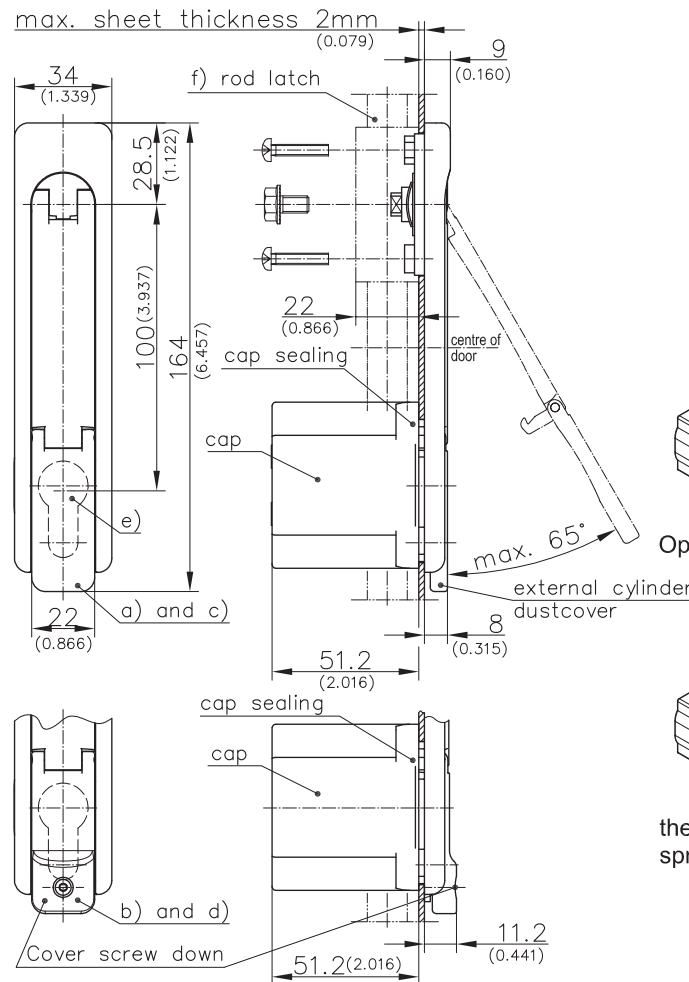


## Product Notes:

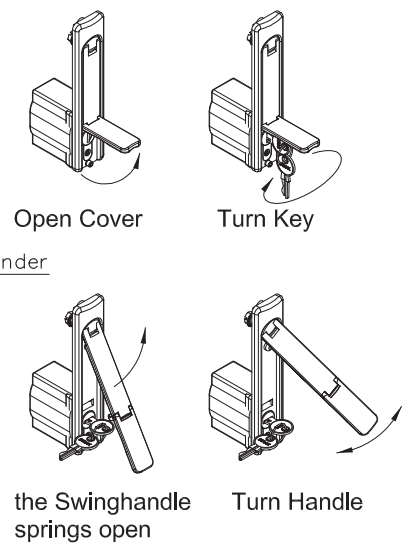
- Uses flat rods
- Narrow gap between handle and body minimizes risk of vandalism
- Locking cylinder resides in housing, not in handle, for added security
- Bolted internal cap is made of Stainless Steel
- Dimensions of cutout - PrC see Product System 3-010
- Low profile design
- Application with rod latch system - see Product System 7-040
- Water and dust tight according to IP65, DIN EN 60529
- Handle can swing up to 135° for opening
- RH and LH application
- Optional screw down key cover
- Round rod - see Product System 7-066

## Material:

- **Dish, handle, cover, cap, rotating disk, spring, grooved pin, pin with axial knurl, locking bolt, serrated screw, countersunk screw and raised head screw:** Stainless Steel AISI 316L
- **Cap sealing:** NBR
- **O-Ring:** NBR/Perbunan, black
- **Washer:** PTFE - Teflon



## Operation



	Part No.	See Page
a) NT-Swinghandle Stainless Steel for Profile-Cylinders 40 and 45mm	307-9301.00-00000	
b) NT-Swinghandle Stainless Steel for Profile-Cylinders 40 and 45mm, cover screw down	307-9306.00-00000	
c) NT-Swinghandle Stainless Steel for KABA	on request	
d) NT-Swinghandle Stainless Steel for KABA, cover screw down	307-9303.00-00000	
e) Profile cylinder only version A		02.65
f) Rod latch		03.16