

3-310 Swinghandle FS

Key or tool actuation, Flat rods, Fits narrow frame width

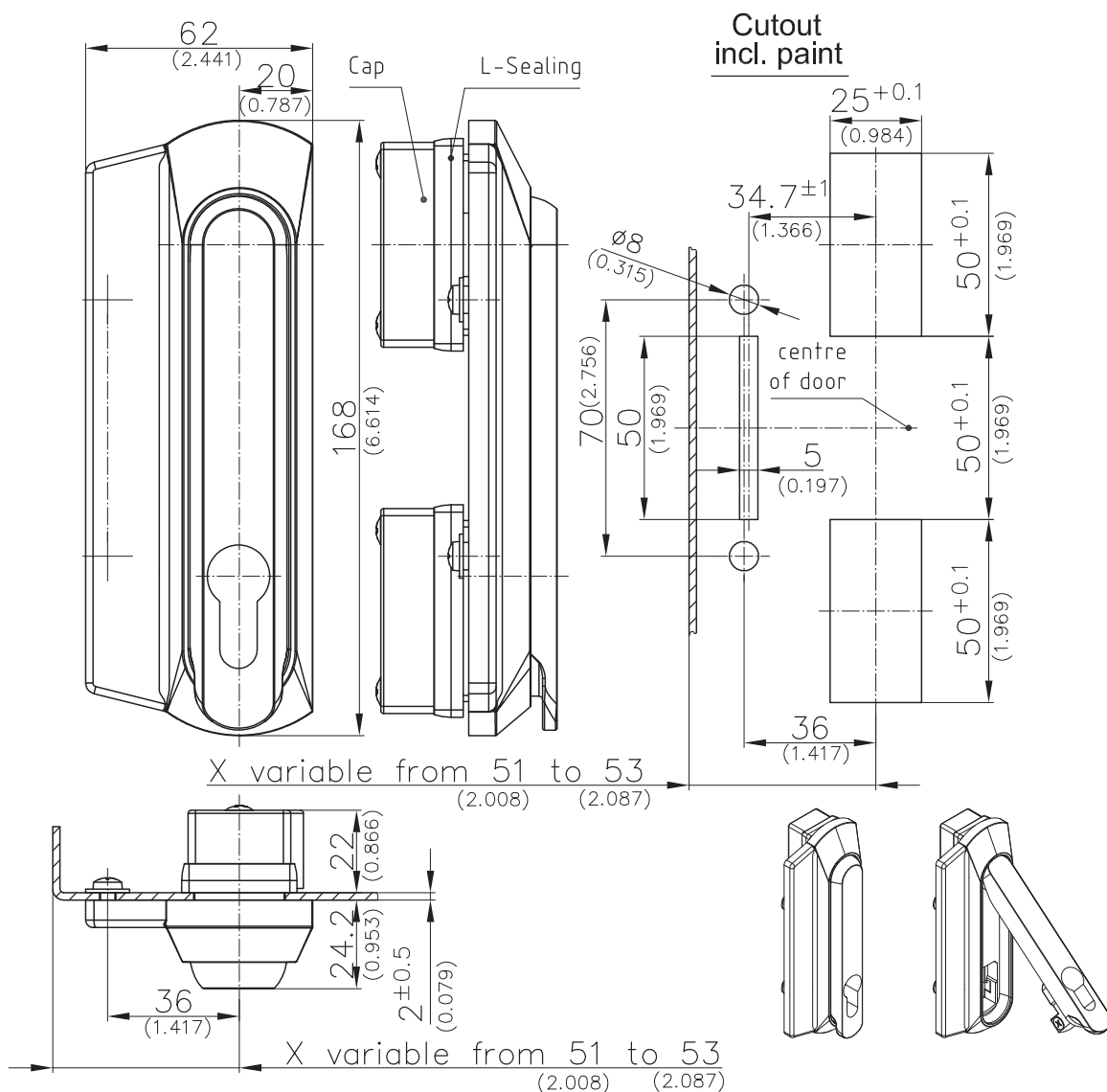


Product Notes:

- Uses flat rods
- Swinghandle system OFFSET-DUO-3 for narrow frame width control rod latch systems - see Product System 3-311
- Swinghandle controls the rod slider which is installed on the exterior of door
- Outside the sealed area, this slider controls the latching rod-system.
- This accommodates frame widths of only 30mm
- The symmetrical rods allow multi-point latching - see Product System 3-311
- Water and dust tight according to IP65, DIN EN 60529

Material:

- **Swinghandle and dish:** PA, Black
- **Cap sealing:** NBR
- **Locking slider:** Steel, Zinc Plated
- **Swinghandle pinion:** Zinc Die



Version	Part No.	See Page
a) Swinghandle System RH (as drawn)	307-9003	
a1) Swinghandle System LH	307-9004	
b) Rods and Accessories		03.60