

3-153 Swinghandle FS PrC

Key or tool actuation, IP65, Cutout C, Flat rods, Optional color highlight

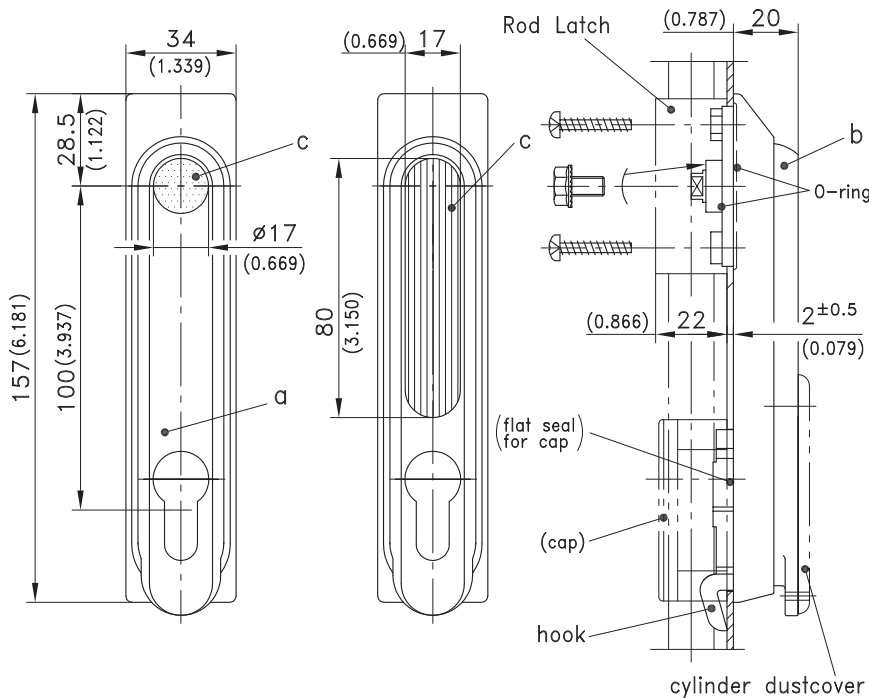


Product Notes:

- Uses flat rods
- Available with colored clip-in round or oblong inserts
- Use with rod latch see - Product System 3-130, 3-132.01, 3-161, 3-170
- For IP65 applications the lower part of the swinghandle is sealed with a cap. For non IP65 applications the lower part has a fastening hook
- Dimensions of cutout PrC - see Product System 3-010

Material:

- **Swinghandle and dish:** PA, Black
- **Inserts:** PA or Makrolon



Swinghandle	Round Insert	Oblong Insert	
a) Installation with cap (IP65)	207-9276	207-9277	
b) Dish with hook (IP65 not possible)	207-9280	207-9281	
a1) as a) with dustcover	207-9278	-	
b1) as b) with dustcover	207-9279	-	
c) Clip-in insert available from stock:	Round	Long, Plain	
	Black	White	
	207-4902.00-00006	207-4903.00-00009	
Clip-in insert color - available on request:	round	long, corrugated	long, plain
Red	207-4902.00-00001	207-4901.00-00001	207-4903.00-00001
Blue	207-4902.00-00002	207-4901.00-00002	207-4903.00-00002
Green	207-4902.00-00003	207-4901.00-00003	207-4903.00-00003
Yellow	207-4902.00-00004	207-4901.00-00004	-
Orange	207-4902.00-00005	207-4901.00-00005	-
Black	-	207-4901.00-00006	207-4903.00-00006
Mint	207-4902.00-00007	207-4901.00-00007	-
Purple	207-4902.00-00008	207-4901.00-00008	-
White	207-4902.00-00009	-	-
d) Not drawn: transparent with internal recess for label 36x13			207-4904
e) Assembling of inserts	207-0015	207-0015	207-0015