

# 7-060 Swinghandle FS PrC

Key or tool actuation, IP65, Stainless Steel, Cutout C, Flat rods, Padlockable



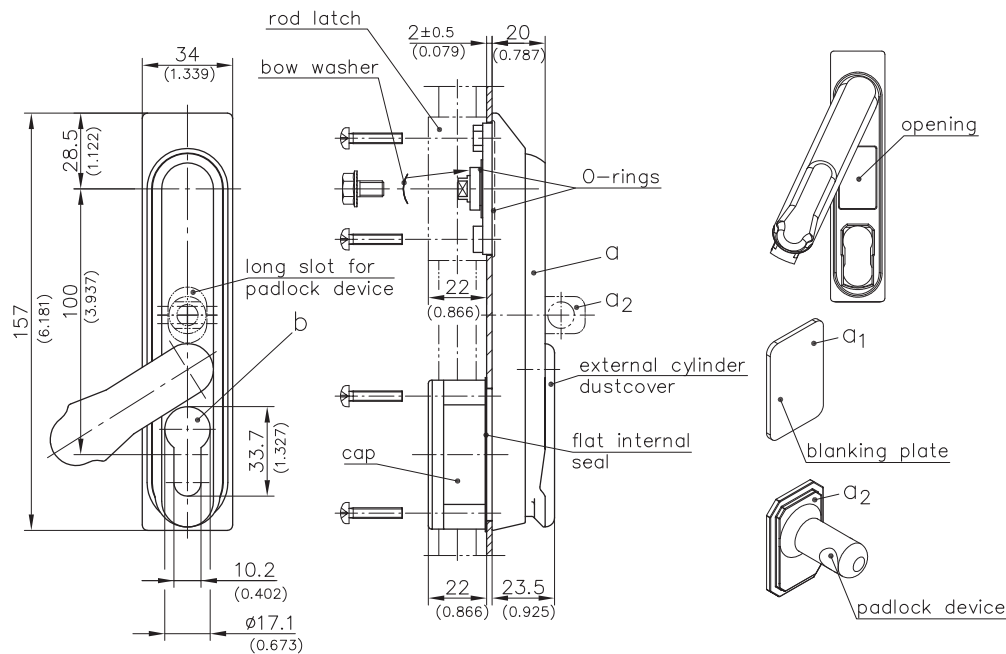
## Product Notes:

- Uses flat rods
- Water and dust tight according to IP65, DIN EN 60529
- Dimensions of cutout PrC - see Product System 3-010
- Padlock device with rectangular base is installed from the back and is held in place between door panel and swinghandle body
- Application with rod latch system - see Product System 7-040
- A blanking (cover) plate is available to cover the opening for the padlock option in the swinghandle dish
- Other flat rod - see Product System 3-150, 3-150SL and 3-151
- Tool-less installation - see Product System 2-090SL and 3-150SL

- Round rod version - see Product System 2-090, 2-090SL, 2-091 and 7-065
- Other stainless steel - see Product System 7-065

## Material:

- **Handle, dish, bearing part, dust cover, blanking plate, profile housing and snap cam:** Stainless Steel AISI 316
- **Cap:** PA, Black
- **Swinghandle shaft and padlock device:** Stainless Steel AISI 303
- **Insert:** Stainless Steel AISI 303 or AISI 316



Swinghandle for profile-cylinders to DIN 18252	Without Dustcover	With Dustcover	See Page
a) Swinghandle for profile-cylinder 40mm long	207-9292	207-9293	
a1) Blanking plate for opening (optional)	207-2506.80	207-2506.80	
a2) Swinghandle for padlock	107-9287	107-9286	
b) Profile-cylinder with insert			
Square 6mm	211-9226	211-9226	
Square 7mm	211-9227	211-9227	
Square 8mm	211-9228	211-9228	
Triangular 7mm	211-9229	211-9229	
Triangular 8mm	211-9230	211-9230	
Double bit 3mm pin	211-9231	211-9231	
Double bit 5mm pin	211-9232	211-9232	
Slotted 2x4mm deep	211-9233	211-9233	
Security insert with free rotating 8mm triangular front part.	211-9242*	211-9242*	02.66
Other profile-cylinders			02.65
Rod latch			03.16

\*Price and delivery time on request.