

3-151 Swinghandle FS PrC

Key or tool actuation, IP65, Cutout C, Flat rods



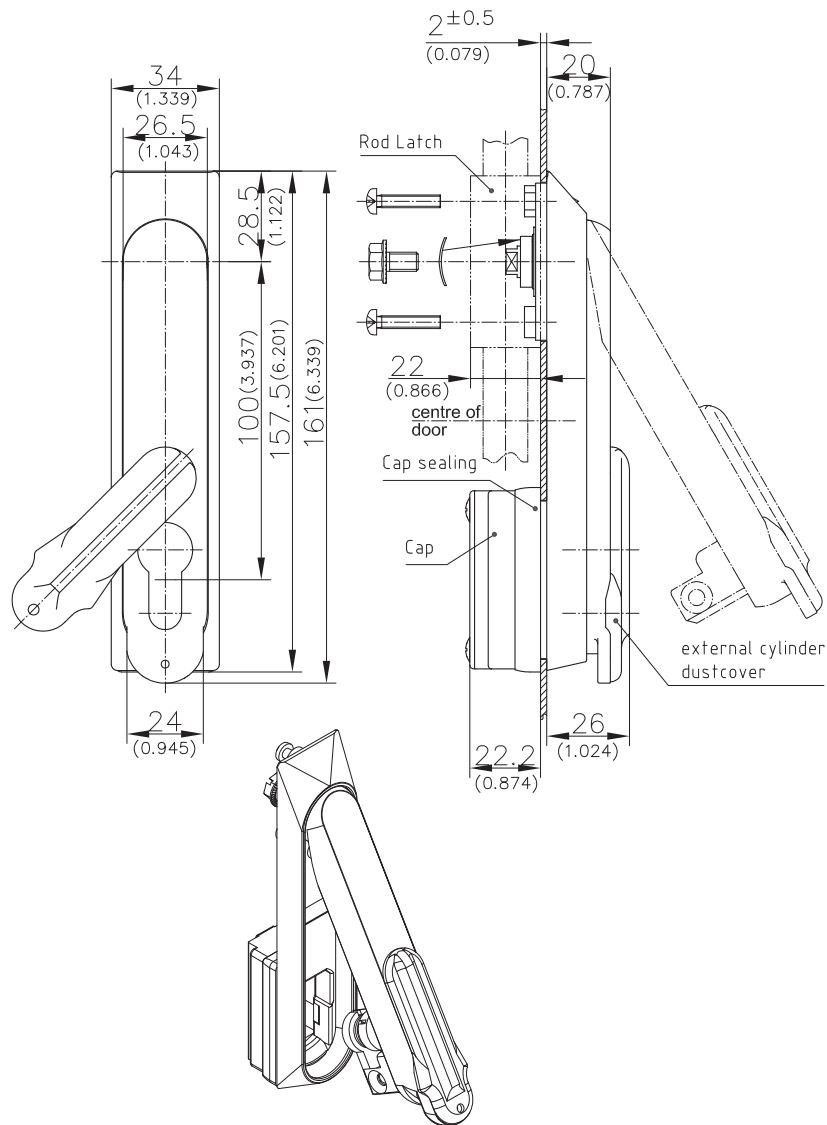
Product Notes:

- Uses flat rods
- Use with Rod Latch
- Use with DIN 18252/18254 profile cylinder 40mm with 45° locking cam.- see Product System 3-130, 3-132.02, 3-165, 3-170
- Water and dust tight according to IP65, DIN EN 60529
- RH and LH application.
- Dimensions of cutout PrC - see Product System 3-010
- Tool-less installation - see Product System 3-150SL and 2-090SL
- Other flat rod - see Product System 3-150, 3-150SL and 7-060

- Round rod version - see Product System 2-090, 2-090SL, 2-091 and 7-065
- Stainless steel - see Product System 7-060 and 7-065

Material:

- **Dish and swinghandle:** Zinc Die, Black
- **Cover:** Zinc Die, Black Coated
- **Shaft:** Brass, Untreated
- **Cap:** PA6 30GF Black
- **Wave washer:** Spring Steel
- **Tapping screws:** Steel, Zinc Plated
- **Countersunk screw:** Stainless Steel
- **Cap sealing and O-Rings:** NBR



Version	Part No.	See Page
a) Swinghandle with Cap and external dustcover for Profile cylinder 40mm	107-9209	
b) Profile cylinder		02.65
C) Sliding cap	207-9702	02.62
The sliding cap can be used for profile cylinders from Product System 2-140 and also for raised profile cylinders.		