

2-075SL Swinghandle RS PrC SNAP-LINE

Tool-less installation, Hand operable with or without key, Cutout C, Round rods
Grounding clip

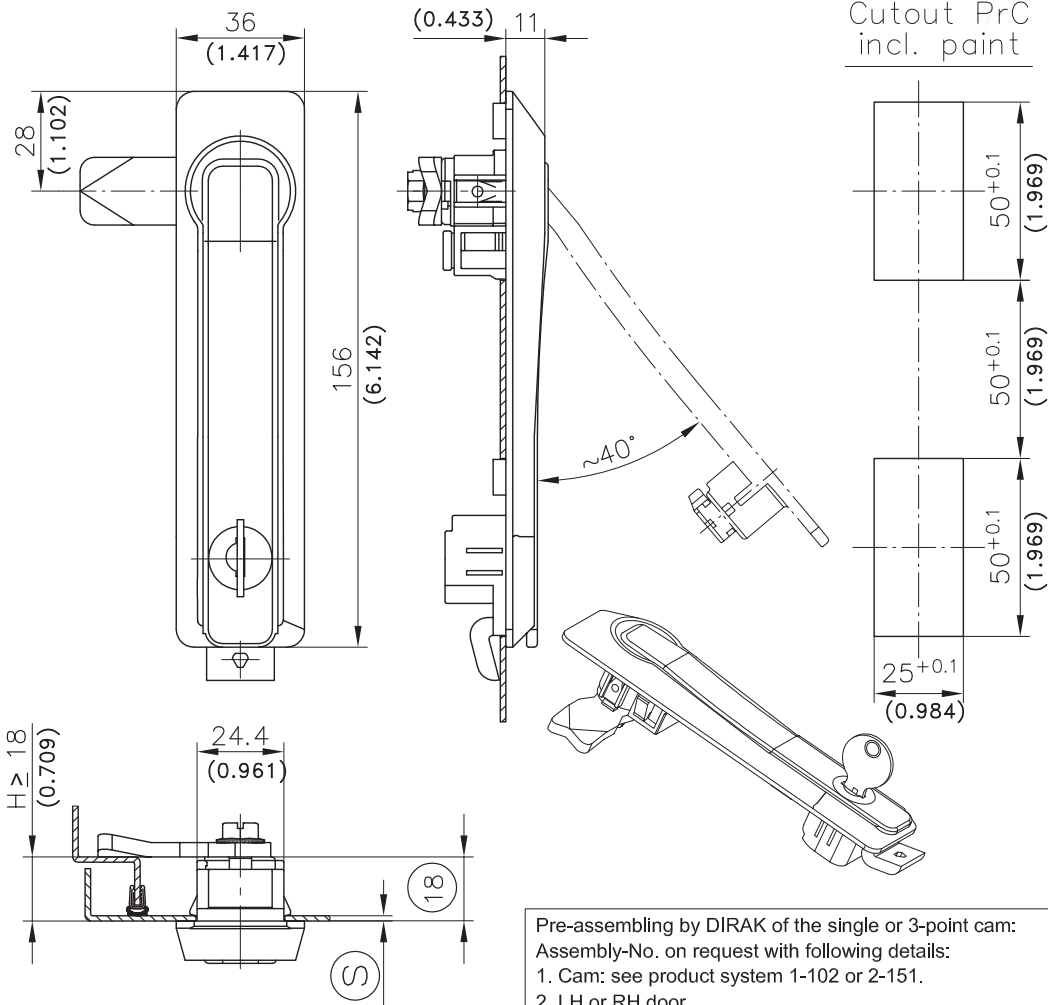


Product Notes:

- Uses round rods
- Uses single 2 or 3-point cam
- Grounding achieved with grounding clip
- Non-locked handle has a detent in the swinghandle dish to prevent movement
- Components can be pre-assembled by DIRAK upon request

Material:

- **Dish:** PA, Black
- **Handle and turning-disk:** Zinc Die, Black
- **Cam stop (90° base):** Zinc Die, Zinc Plated
- **Grounding clip:** Stainless Steel
- **Locking cylinder:** PA
- **Wings:** PA



Cutout PrC
incl. paint

Pre-assembling by DIRAK of the single or 3-point cam:
Assembly-No. on request with following details:
1. Cam: see product system 1-102 or 2-151.
2. LH or RH door
3. Door-thickness $\text{\textcircled{S}}$
4. Keyed alike or keyed different / mixed.

Swinghandle SNAP-LINE (without cam)

	Clamping Range $\text{\textcircled{S}}$	Keyed alike 1333	Keyed different	Without Cylinder With Plug	See Page
a)	1.2 - 1.7	407-9302.00-00015	407-9301.00-00015	407-9303.00-00015	
	1.7 - 2.2	407-9302.00-00020	407-9301.00-00020	413-9303.00-00020	
Other $\text{\textcircled{S}}$ - dimension on request					
b)	Tool for uninstallation	292-0306.80-02530	292-0306.80-02530	292-0306.80-02530	10.17
	Tool for uninstallation	292-0301.15-00000	292-0301.15-00000	292-0301.15-00000	10.17