

7-066 NT Swinghandle RS PrC

Key or tool operable, IP65, Stainless Steel, Cutout C, Round rods, Low profile

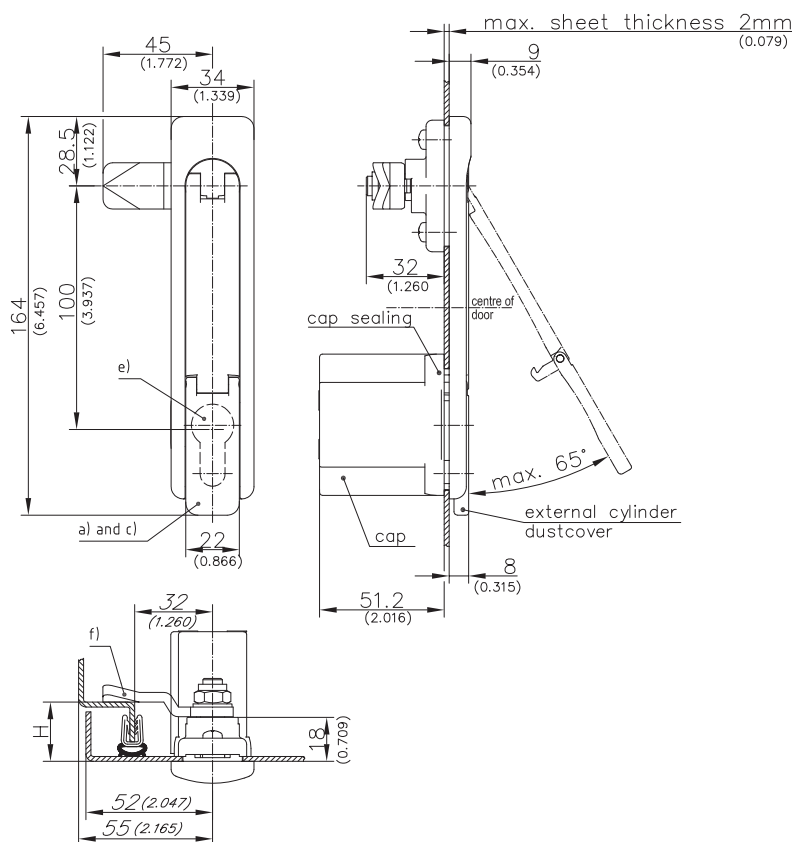


Product Notes:

- Used with cams and/or round rod systems
- Narrow gap between handle and body minimizes risk of vandalism
- Locking cylinder resides in housing, not in handle, for added security
- Fits cutout PrC - see Product System 3-010
- Water and dust tight according to IP65, DIN EN 60529
- Low profile design
- Handle can swing up to 135° for opening
- Stroke is 35mm(1.378)
- RH and LH application
- Optional screw down key cover
- Flat rod - see Product System 7-061

Material:

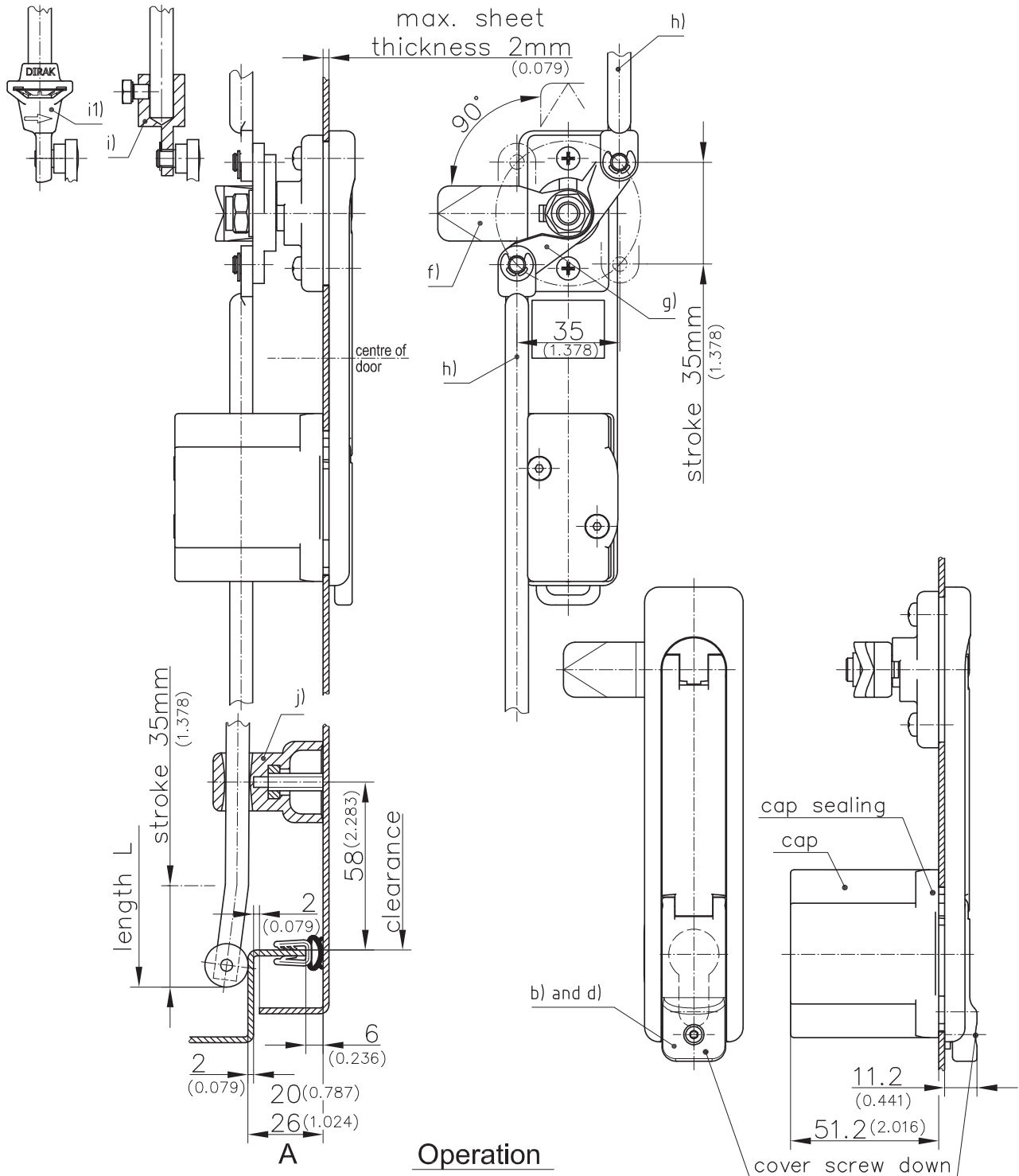
- **Dish, handle, cover, cap, rotating disk:** Stainless Steel AISI 316L
- **Cap sealing:** NBR
- **O-Ring:** NBR/Perbunan, Black
- **Washer:** PTFE - Teflon
- **Spring:** Stainless Steel AISI 301
- **Grooved pin and pin with axial knurl:** Stainless Steel AISI 303
- **Locking bolt:** Stainless Steel AISI 316
- **Serrated screw and grooved pin:** Stainless Steel AISI 304
- **Screws and nut:** Stainless Steel



	Part No.	See Page
a) NT-Swinghandle Stainless Steel for Profile-Cylinders 40 and 45mm	307-9302.00-00000	
b) NT-Swinghandle Stainless Steel for Profile-Cylinders 40 and 45mm, cover screw down	307-9305.00-00000	
c) NT-Swinghandle Stainless Steel for KABA	on request	
d) NT-Swinghandle Stainless Steel for KABA, cover screw down	307-9304.00-00000	
e) Profile-cylinder only version A		02.65
f) Cam		01.24
g) Cam adapter		03.45
h) Round rod with eye		03.48
i) Adapter for round rods		03.50
i1) Adapter for round rods		03.49
j) Rod Guide for bending A20	200-3601.03-00000	
Bending A26	200-3602.03-00000	

7-066 NT Swinghandle RS PrC

Key or tool operable, IP65, Stainless Steel, Cutout C, Round rods, Low profile



Operation

