

3-150SL Swinghandle with Rod Latch for FS PrC SNAP-LINE

Tool-less installation, Key or tool actuation, IP65, Cutout C, Flat rods



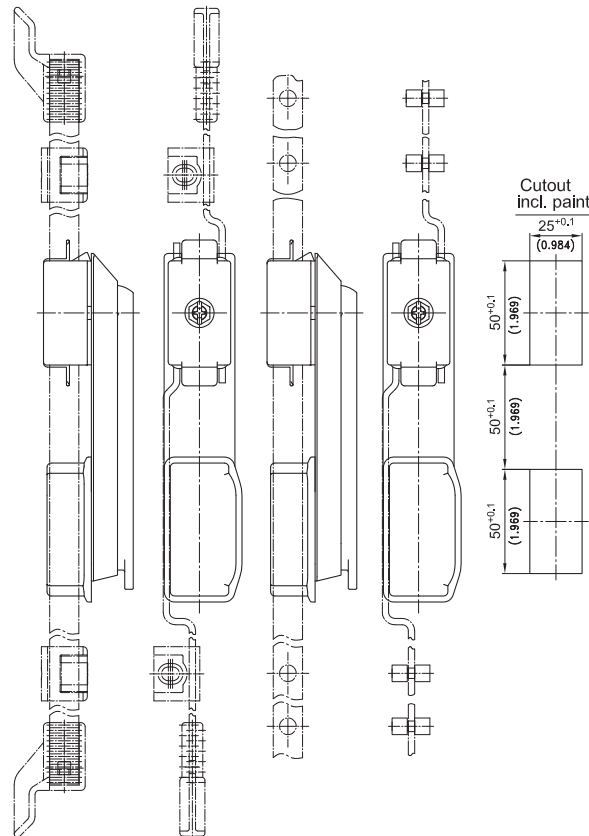
Product Notes:

- Uses flat rods
- Use with DIN 18252/18254 profile cylinder
- Application within the sealed area installation with internal caps and O-ring for IP65 EN 60529.
- Sealings according to IP65 EN60529 are included.
- To install, hook pre-assembled swinghandle into the lower cutout and snap into the upper cutout.
- The flat rods are placed into position and secured by clip-on cover.
- LH and RH application

- Screw-on - see Product System 3-150
- Other flat rod - see Product System 3-150, 3-151 and 7-060
- Round rod version - see Product System 2-090, 2-090SL, 2-091 and 7-065
- Stainless steel - see Product System 7-060 and 7-065

Material:

- **Swinghandle and dish:** PA, Black
- **Wedges:** Sintered Steel
- **Pinion:** Sintered Steel



Swinghandle for profile cylinder/ dish with hook and cap

Profile-Cylinder 40mm	Clamping Range [Ⓢ]	With Dustcover	Without Dustcover	See Page
	1.3 - 2.0	407-9502.00-00015	407-9501.00-00015	
	1.5 - 2.2	407-9502.00-00018	407-9501.00-00018	
	1.8 - 2.5	407-9502.00-00020	407-9501.00-00020	

Sealings according IP65 DIN EN 60529 are included.

Swinghandle for profile cylinder/ dish with hook without cap (not IP65)

Profile-Cylinder 40mm	Clamping Range [Ⓢ]	With Dustcover	Without Dustcover	See Page
	1.3 - 2.0	407-9503.00-00015	407-9504.00-00015	
	1.5 - 2.2	407-9503.00-00018	407-9504.00-00018	
	1.8 - 2.5	407-9503.00-00020	407-9504.00-00020	

Profile cylinder 02.65

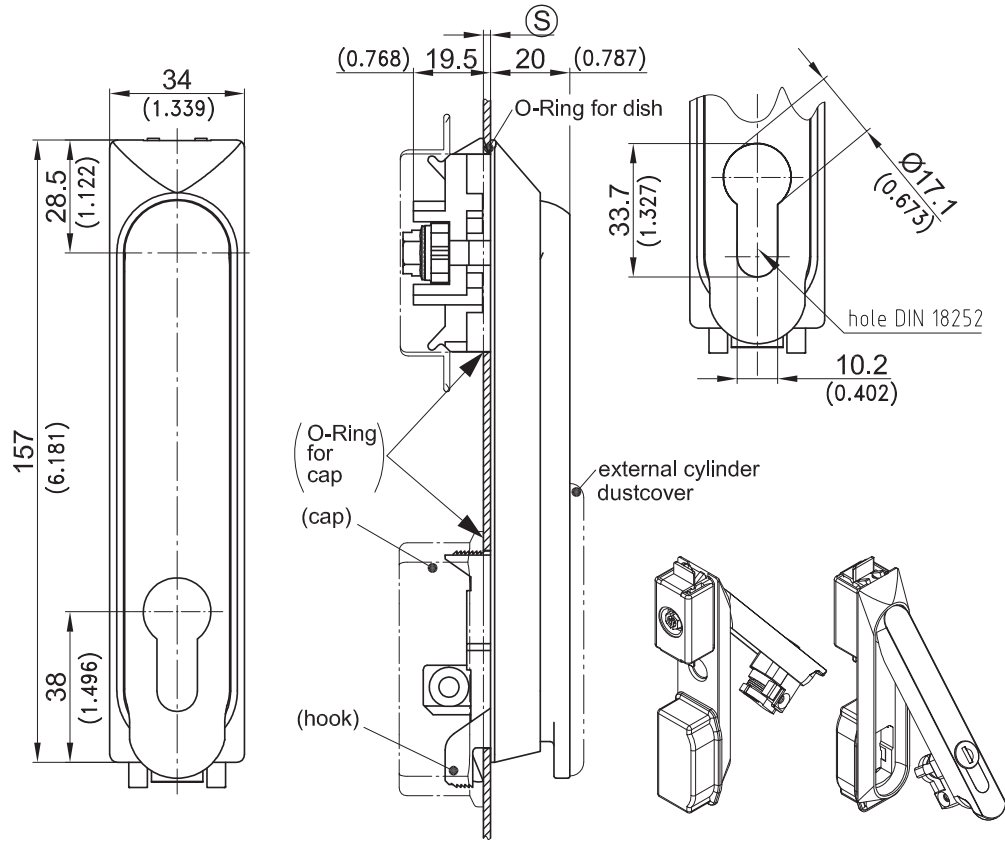
Other [Ⓢ] dimensions on request

Other variants 02.22

Please contact DIRAK

3-150SL Swinghandle with Rod Latch for FS PrC SNAP-LINE

Tool-less installation, Key or tool actuation, IP65, Cutout C, Flat rods



Instruction for installation

