

# 3-070 Swinghandle FS PrB

Key or tool actuation, IP65, Cutout B, Flat rods, Trim design

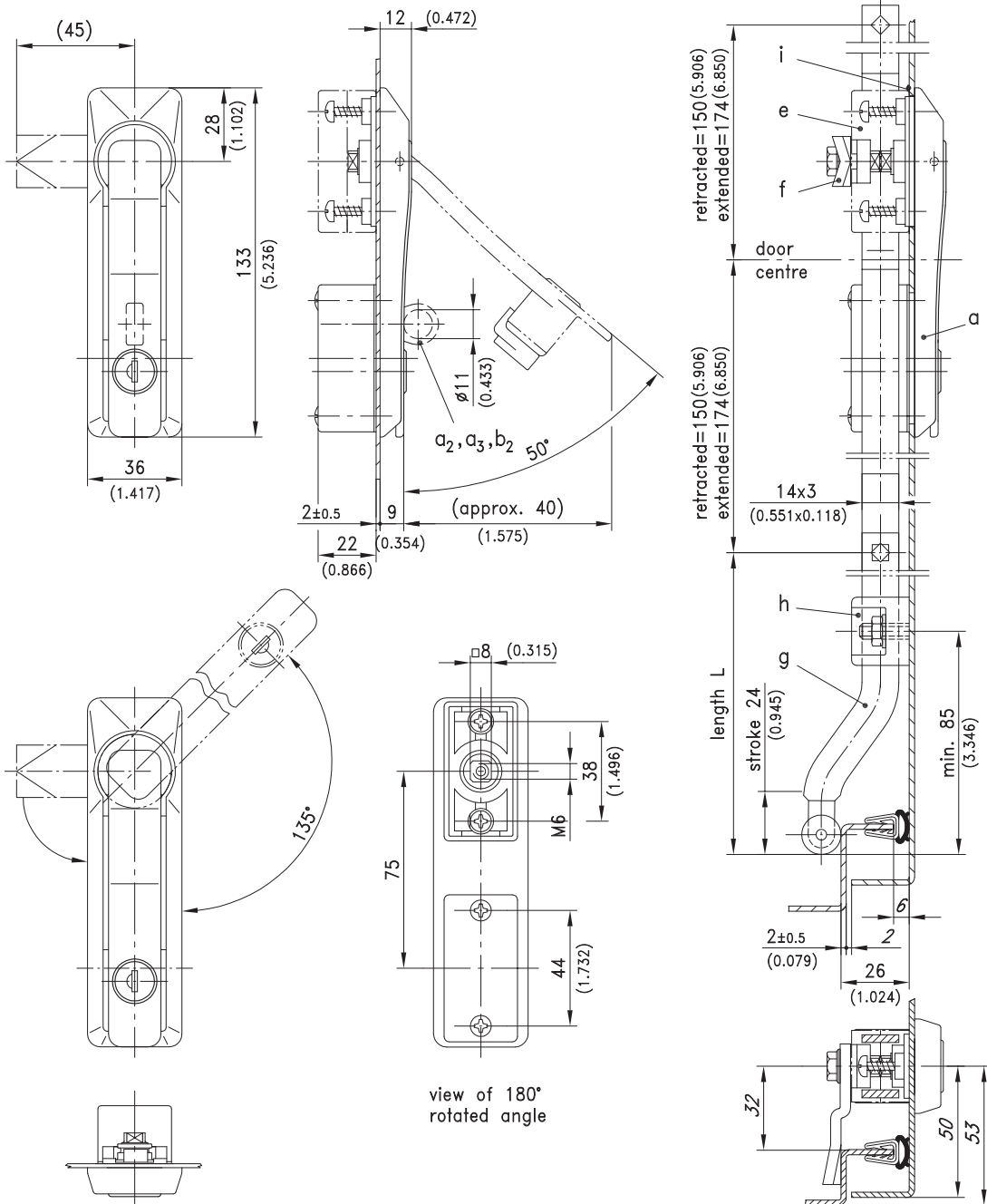


## Product Notes:

- Swinghandle for rod latch and flat rods
- RH and LH application
- Water and dust tight according to IP65, DIN EN 60529
- Version for round rods - see Product System 2-070
- Dimensions of cutout PrB - see Product System 3-010

## Material:

- **Swinghandle:** Zinc Die, Chrome Plated or Black
- **Dish:** Zinc Die, Chrome Plated or Black or PA, Black
- **Padlock eye:** Stainless Steel
- **Insert:** Zinc Die, Chrome Plated
- **Rod Latch:** Zinc Die
- **Cam:** Steel, Zinc Plated
- **Flat rods:** Steel, Zinc Plated
- **Rod Guide:** PA, Black or Zinc Die
- **Grounding clip:** stainless steel AISI 304



### 3-070 Swinghandle FS PrB

Key or tool actuation, IP65, Cutout B, Flat rods, Trim design

|  |                           |                           |   |                           |
|--|---------------------------|---------------------------|---|---------------------------|
| a) Swinghandle with cylinder, IP65   | Zinc Die<br>Chrome Plated | Zinc Die<br>Black         | Dish PA Black<br>Handle<br>Zinc Die Black | See Page                  |
| Keyed alike DIRAK 1333*  | 407-9005                  | 407-9001                  | 407-9021                                  |                           |
| Keyed alike DS200*   | 507-9005                  | 507-9001                  | 507-9021                                  |                           |
| Keyed different  | 407-9006                  | 407-9002                  | 407-9022                                  |                           |
| a1) Swinghandle for insert IP65  | 407-9103                  | 407-9101                  | 407-9117                                  |                           |
| a2) Swinghandle for cylinder + padlock eye   |                           |                           |   |                           |
| Keyed alike DIRAK 1333*  | 407-9033                  | 407-9035                  |   |                           |
| Keyed different  | 407-9034                  | 407-9036                  |   |                           |
| a3) Swinghandle  |                           |                           |   |                           |
| Inserts and padlock eye  | 407-9113                  | 407-9114                  | 407-9123                                  |                           |
| Inserts must be ordered separately, see c) Locking stub included in handle-assembly. |                           |                           |   |                           |
| b) Combined Swinghandles with cylinder, IP65   |                           |                           |   |                           |
|  | Dish:                     | Zinc Die<br>Chrome Plated | Zinc Die<br>Black                         | PA<br>Black               |
|  | Handle/disc:              | Zinc Die<br>Black         | Zinc Die<br>Chrome Plated                 | Zinc Die<br>Chrome Plated |
| Keyed alike DIRAK 1333*  |                           | 407-9015                  | 407-9009                                  | 407-9025                  |
| Keyed alike DS200*   |                           | 507-9015                  | 507-9009                                  | 507-9025                  |
| Keyed different  |                           | 407-9016                  | 407-9010                                  | 407-9026                  |
| b1) Swinghandle for insert, IP65   |                           | 407-9107                  | 407-9105                                  | 407-9119                  |
| b2) Swinghandle for insert + padlock eye   |                           | 407-9115                  | 407-9116                                  | 407-9124                  |
| Inserts must be ordered separately, see c) Locking stub included in handle-assembly. |                           |                           |   |                           |
| c) Inserts   |                           |                           |   | 02.63                     |
| d) Assembling of inserts   | 207-0016                  | 207-0016                  | 207-0016                                  |                           |
| Order separately:  |                           |                           |   |                           |
| e) Rod Latch FS PrB, RH/LH with round rod stubs and c-clips                          | 208-9021                  | 208-9021                  | 208-9021                                  | 03.22                     |
| e1) Rod Latch FS PrB, RH/LH with square quick-fit stubs                              | 208-9022                  | 208-9022                  | 208-9022                                  | 03.22                     |
| f) Cam with screw  |                           |                           |   | 03.20, 03.54              |
| g) Flat rods   |                           |                           |   | 03.57                     |
| h) Rod guide, please order 2 pcs. per rod  | 208-1501.03               | 208-1501.03               | 208-1501.03                               | 03.64                     |
| h1) Rod guide, two halves order 4 pcs. per rod                                       | 208-1502.34               | 208-1502.34               | 208-1502.34                               | 03.64                     |
| i) Grounding clip  | 208-1201.04               | 208-1201.04               | 208-1201.04                               | 03.64                     |

\* with stainless dust-shutter