

2-140 Profile-Cylinder

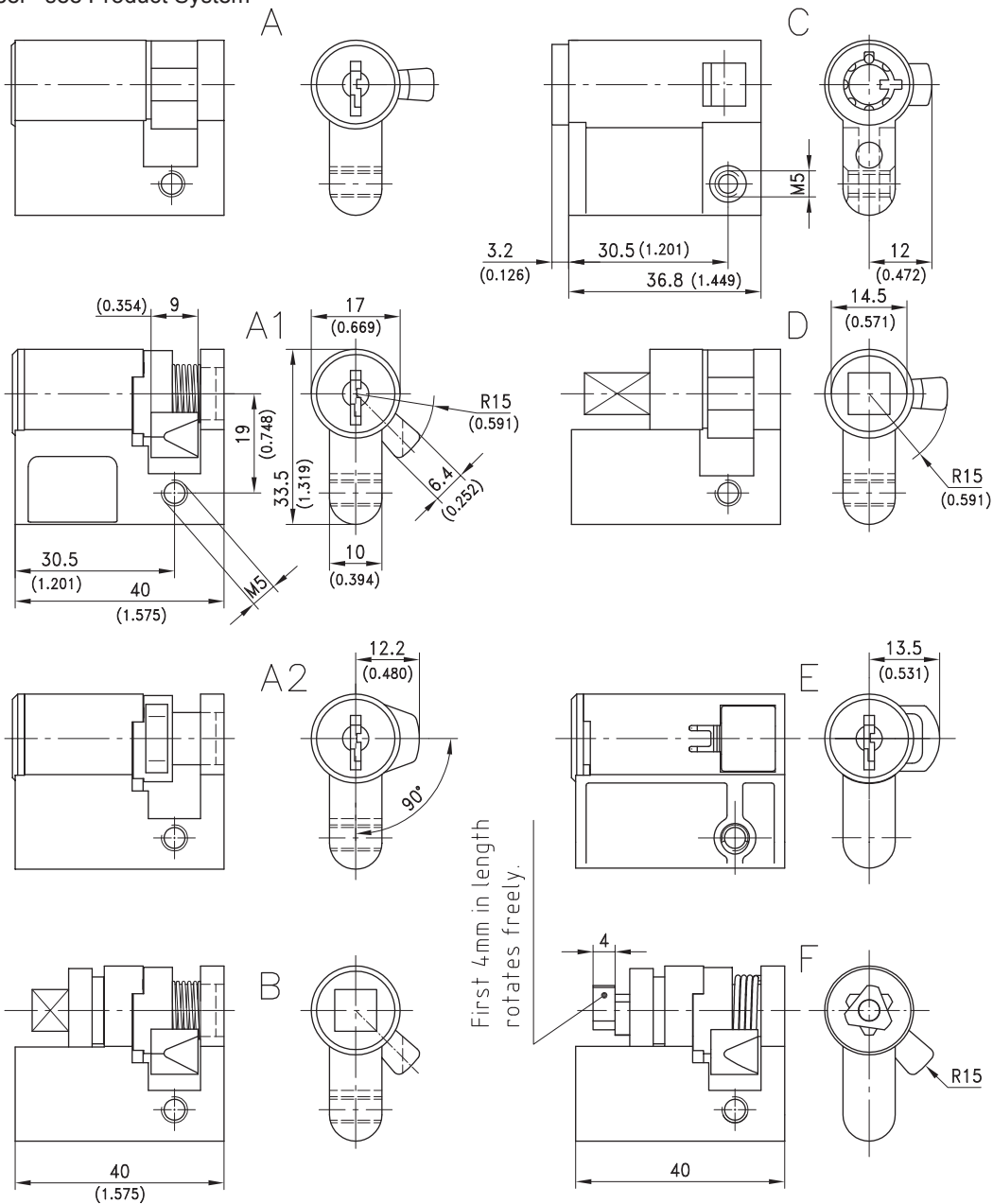
Key and tool cylinders for swinghandles

Product Notes:

- Profile cylinders can be used with Product Systems 2-080.01, 2-080.02, 2-090, 2-100.01, 2-120, 2-300, 2-340, 2-400 or 3-150, 3-153, 3-155.02, 3-170
- **Version A:** key can only be removed when swinghandle is closed
- **Version A1:** key can only be removed when profile cylinder is locked
Spring loaded clip-in cam
- **Version A2:** key can be removed in locked and unlocked position.
Spring loaded clip-in cam. Cam has 90° stroke, not clip-in. Cam length is 12.2mm / 0.480
- **Version B:** Spring loaded clip-in cam
- **Versions A1, A2 and C** are supplied with 2 keys, **Version A** with 3 keys
- Stainless steel - see Product System 7-069

Material:

- Brass, Nickel Plated or Zinc Die, Chrome Plated
- **Blank:** PA, Black
- **Housing and bolt:** PA, Black
- **Cylinder:** Zinc Die



2-140 Profile-Cylinder

Key and tool cylinders for swinghandles

	Key Type	Part No.	See Page	
A	Profile cylinder to DIN 18252/18254, 8x45° adjustable			
	Keyed different	211-9001		
	Masterkey-system	on request		
	Keyed alike, key-no. BC 5014	211-9002		
A1	DIRAK key system, clip-in pawl			
	Keyed different*	211-9101		
	Keyed alike DIRAK 1333*	211-9102		
	Keyed alike DS200*	511-9102		
A2	DIRAK key system, cam NOT spring loaded, 90° rotation			
	Keyed different*	211-9301		
	Keyed alike DIRAK 1333*	211-9302		
	Keyed alike DS200*	511-9302		
B	Profile cylinder with insert			
	Polyamide-plug without spring-loaded ball	211-0401.03		
	Polyamide-plug with spring-loaded ball	211-9201		
	Square 6mm	211-9202		
	Square 7mm	211-9203		
	Square 8mm	211-9204		
	Square 8mm slotted	211-9205		
	Triangular 7mm	211-9206		
	Triangular 8mm	211-9207		
	Double bit 3mm pin	211-9208		
	Double bit 5mm pin	211-9209		
	Triangular 6.5mm CNOMO Type 1	211-9210		
	Socket hex. 10mm	211-9211		
	Slotted 2x4mm deep	211-9212		
	Daimler Benz type	211-9213		
	Crown type	211-9214		
	Square socket 6mm	211-9215		
	Square socket 7mm	211-9216		
	Square socket 8mm	211-9217		
	Slotted recessed coinproof	211-9218		
	Crescent Czech	211-9219		
	Hex Belcore 7/16"	211-9220		
	Key for insert		10.18	
	Further version	on request		
	C	Profile cylinder push-lock with Tubular Lock		
		Keyed different	211-9106	
		Keyed alike D0205	211-9107	
D	Profile cylinder, (Brass, Nickel Plated) 360° for hollow key insert	Hollow Key		
	Square 7mm	204-0102	211-9402	
	Square 8mm	204-0103	211-9403	
	Triangular 8mm	204-0105	211-9405	
	Special inserts		on request	
E	Slam-profile cylinder with PA housing and bolt			
	Keyed alike DIRAK 1333*	211-9113		
	Keyed different (dual entry)*	211-9115		
	211-9114 has been reserved for Keyed different with other key-types (single entry key)			
F	Security insert with free rotating 8mm triangular front part	211-9244		

* with stainless dust-shutter