

2-126.01 Dual Cylinder Swinghandle RS 105

Key or tool actuation, IP65, Cutout 105, Round rods, WKII/RC - security tested, Dual key cylinders

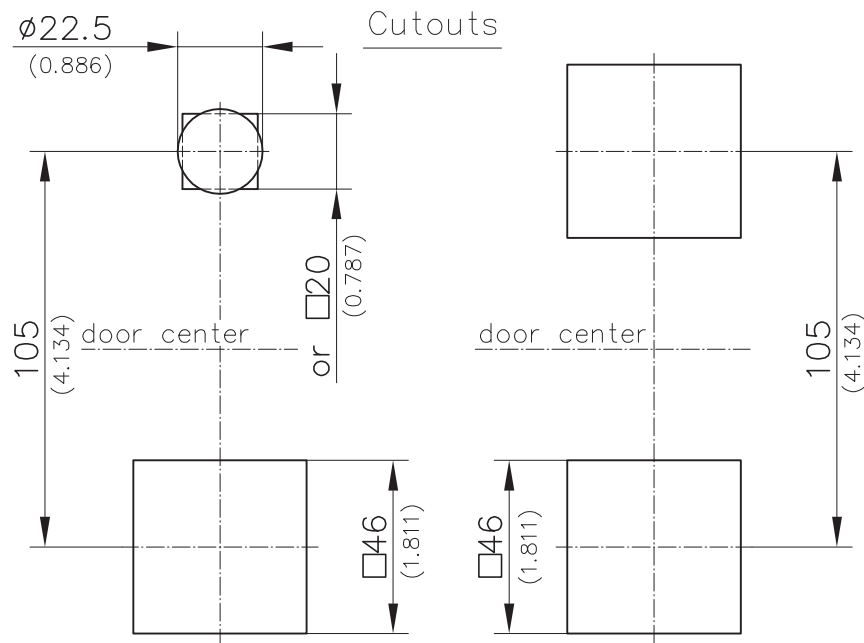


Product Notes:

- Uses round rods
- Water and dust tight according to IP65, DIN EN 60529
- Uses DIN18252/18254 40mm and 45mm profile cylinders. Dual cylinders can be unlocked independently for latch actuation. Cylinder cam must have a 45° feature
- The swinghandle can be locked without using a key
- Complies with security standard DIN1630, WKII/RC for protection against vandalism
- Add logo on request
- Also available with electronic activation - see www.elinebydirak.com or contact DIRAK

Material:

- **Swinghandle and dish:** Zinc Die, ZL 0430, Black
- **Other surfaces on request**
- **3- and 2-point cam and round rods:** Steel, Zinc Plated
- **Adapter:** Zinc Die, Zinc Plated
- **Rod guide:** PA, Black
- **Square adapter:** PA Black
- **Flat external seal:** Sponge Rubber, Inducon
- **Emergency key:** PS, Black

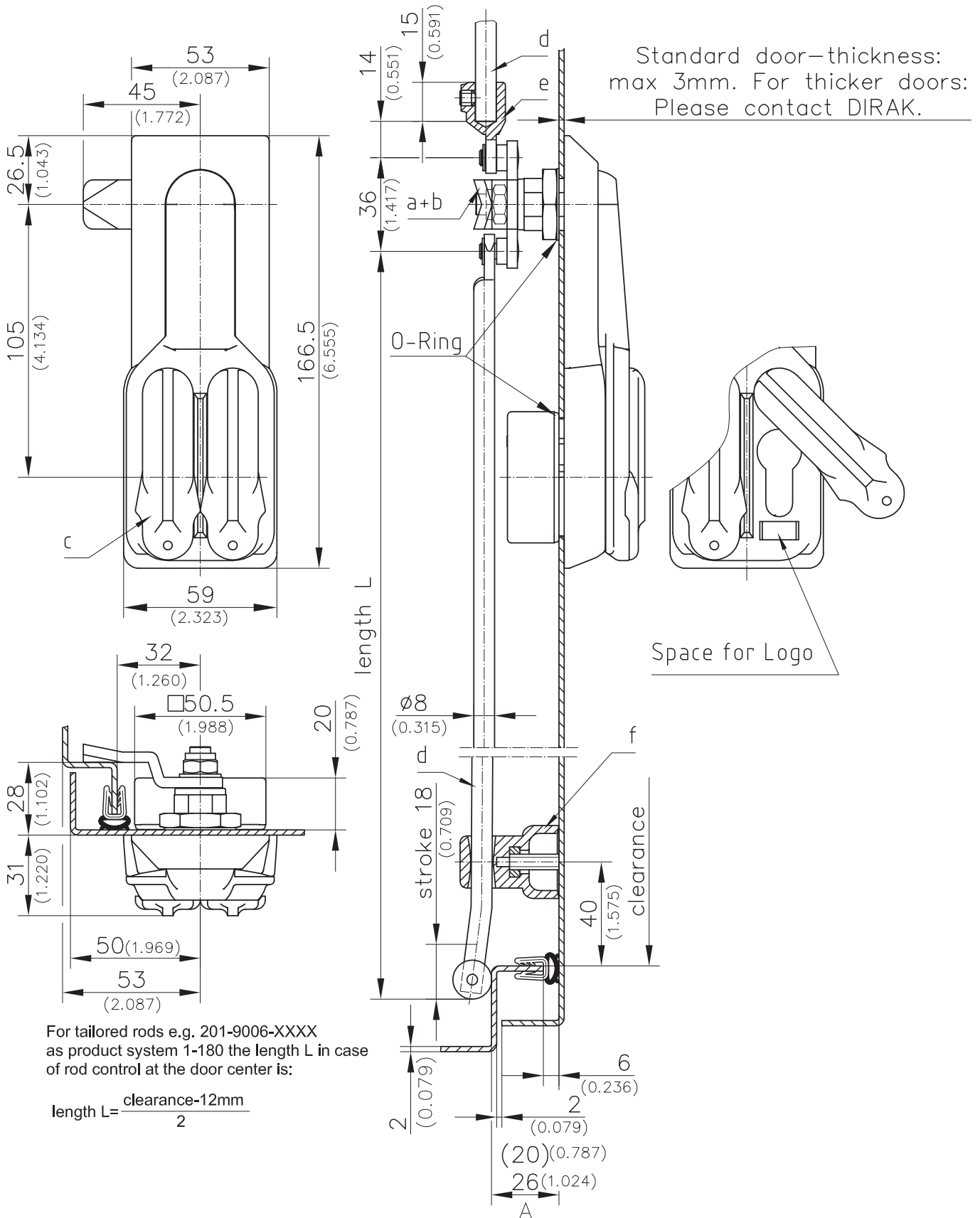


To use the same door both RH and LH, 2 holes $\square 46$, symmetrical to door center, are possible, see g) and g1).

	Part No.	See Page
a) Dual cylinder swinghandle with dustcover for profile cylinder	207-9614	
Optional:		
a) 3-point-cam e.g.bending	A20 207-9522 A26 207-9528	03.44
b) 2-point-cam	207-9599	
c) Profile cylinder according DIN 18252		02.65
d) Round rods		03.46, 03.47
e) Adapter for round rods		03.49, 03.50
f) Rod guide for bending	A20 200-3601.03 A26 200-3602.03	03.52, 03.53
g) Square Adapter to allow installation into 2 holes $\square 46$. In this case the same door can be used RH or LH.	207-2702.03	
g1) External seal for Adapter $\square 46$	207-2803	
h) Emergency key	204-0301	

2-126.01 Dual Cylinder Swinghandle RS 105

Key or tool actuation, IP65, Cutout 105, Round rods, WKII/RC security tested, Dual key cylinders



For tailored rods e.g. 201-9006-XXXX as product system 1-180 the length L in case of rod control at the door center is:

$$\text{length L} = \frac{\text{clearance} - 12\text{mm}}{2}$$