

2-102 Swinghandle RS 105

Key or tool actuation, IP65, Cutout 130, Round rods, WKII/RC - security tested

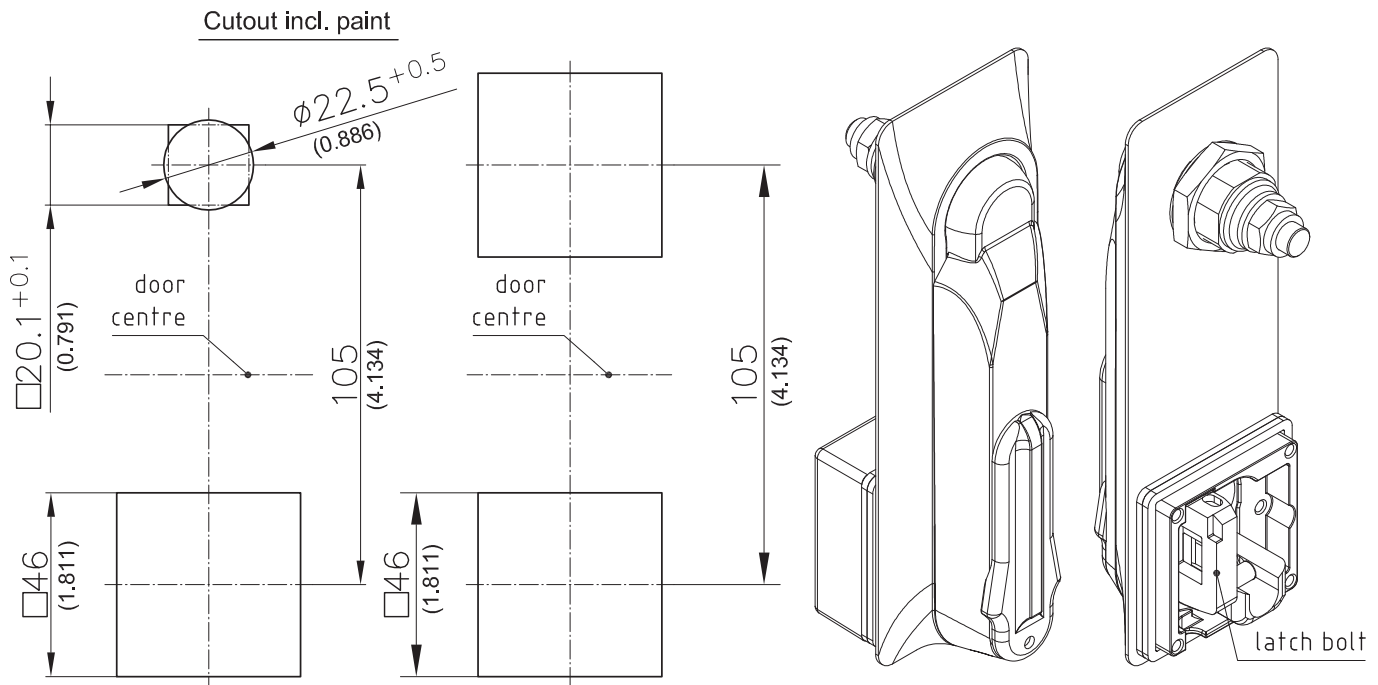


Product Notes:

- Uses round rods
- RH and LH application
- Complies with security standard DIN 1630, WK II for protection against vandalism
- Uses DIN18252/18254 40mm and 45mm profile cylinders
- Water and dust tight according to IP65, DIN EN 60529
- Opening rotation is 90°
- Also available with electronic activation - see www.elinebydirak.com or contact DIRAK

Material:

- **Swinghandle, fastener, dish, dust cover and cap:** Zinc Die, Black
- **Other surfaces on request**
- **Bolt:** Stainless Steel AISI 316
- **Shaft:** Brass
- **Washer, nut and screw:** Steel, Zinc Plated
- **Flat external seal:** NBR/ Fiber
- **3- and 2-point cam:** Steel, Zinc Plated
- **Round rods:** Steel, Zinc Plated
- **Adapter:** Zinc Die
- **Rod Guide:** PA, Black

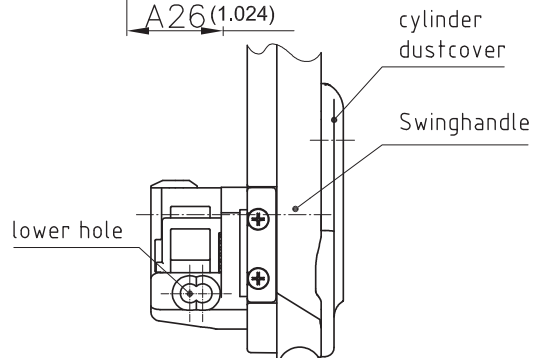
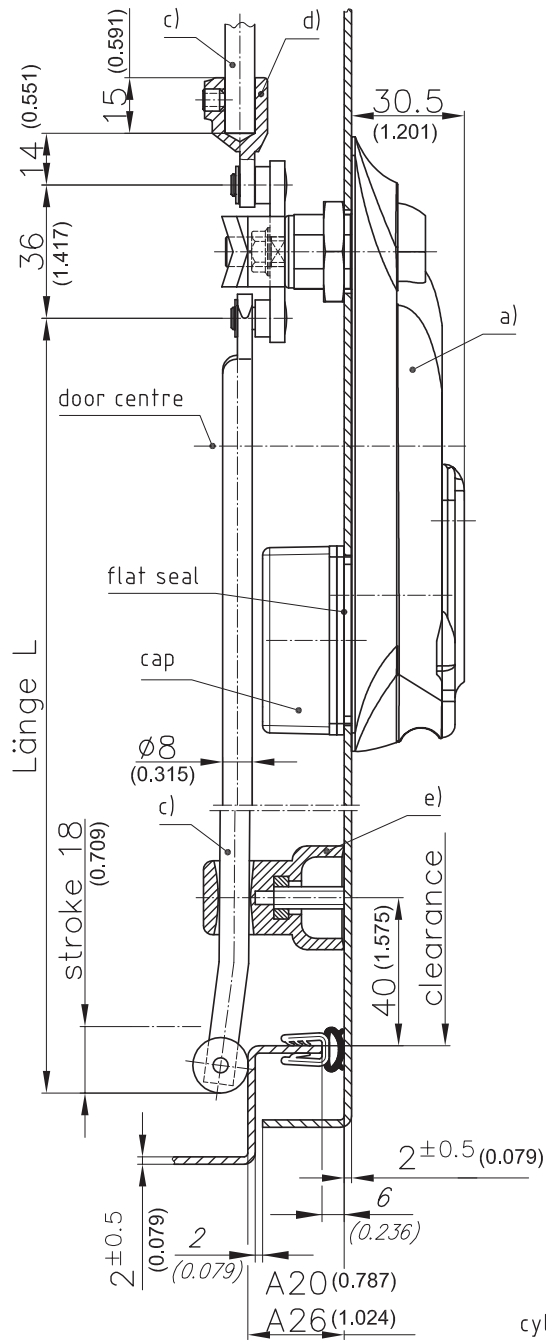
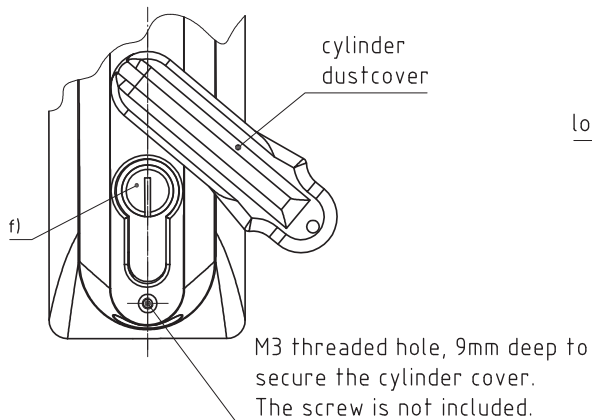
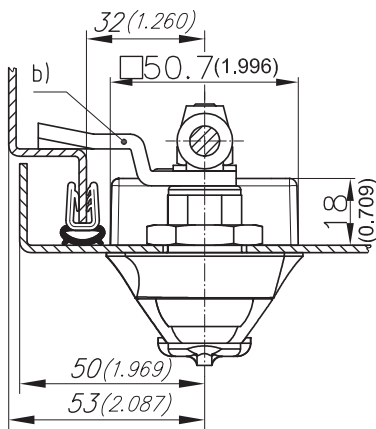
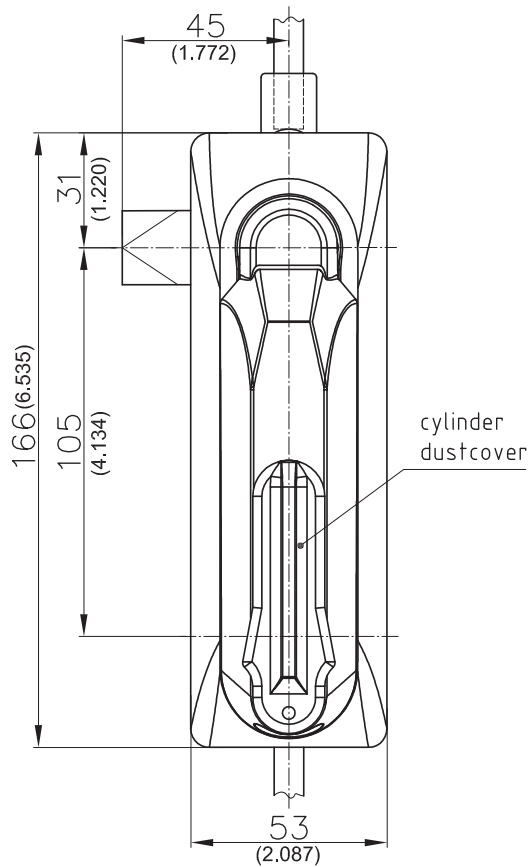


To use the same door both RH and LH, 2 holes $\square 46$, symmetrical to door centre, are possible, see g) and g1).

	Part No.	See Page
a) Swinghandle 105	207-9129	
b) 3-point-cam e.g.for bending	A20 207-9522	03.44
	A26 207-9528	
b1) 2-point-cam	207-9599	
c) Round rods		03.46, 03.47
d) Adapter for round rods		03.49, 03.50
e) Rod guide for bending	A20 200-3601.03	03.52, 03.53
Rod guide for bending	A26 200-3602.03	
f) Profile cylinder according DIN 18252		02.65
g) Square Adapter to allow installation into 2 holes $\square 46$. In this case the same door can be used RH or LH.	207-2702.03	
g1) External seal for Adapter $\square 46$	207-2803	

2-102 Swinghandle RS 105

Key or tool actuation, IP65, Cutout 130, Round rods, WKII security tested



When using 40 (1.575) and 45mm (1.772) long profile-cylinders only the lower hole is used for fixing!