

2-090SL Swinghandle RS PrC SNAP-LINE

Tool-less installation, Key actuation, IP65, Cutout C, Round rods



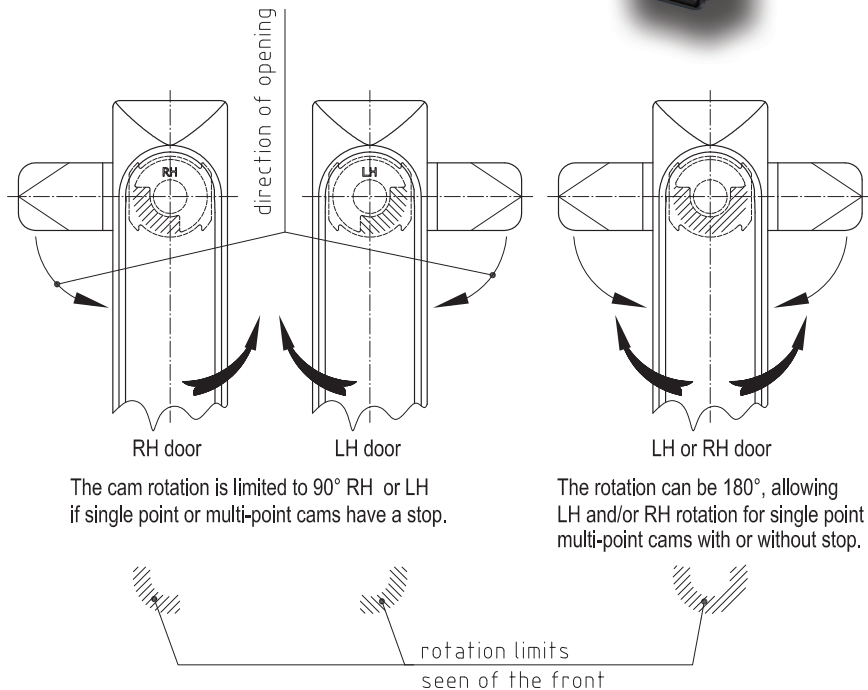
Product Notes:

- Uses round rods
- Single or multi-point latching with or without a rotation stop.
- Three versions are available:
RH version - rotates 90° counter-clockwise for use with single or multi-point systems with stop
LH version - rotates 90° clockwise for use with single or multi-point systems with stop
RH/LH version - rotates 90° in both clockwise and counter-clockwise direction for use with single or multi-point systems with or without stop
- The rotation stop prevents damage to the dish cavity caused by over-rotation in RH and LH versions
- Uses DIN 18252/18254 profile cylinders. Other locking options (KABA, DIRAK 1333, combination lock and padlock eye)
- Water and dust tight according to IP65, DIN EN 60529 when lower part installed with cap

- Screw-on - see Product System 2-090
- Other round rod - see Product System 2-090, 2-091 and 7-065
- Flat rod version - see Product System 3-150, 3-150SL, 3-151 and 7-060
- Stainless steel - see Product System 7-060 and 7-065

Material:

- **Dish, handle, cover, cap:** PA, Black
- **O-Rings:** NBR Perbunan
- **Hexagon nut and washer:** Steel, Zinc Plated
- **Shaft:** Brass, Untreated
- **Wings:** Sintered Steel
- **Dish:** Zinc Die, Untreated



The cam rotation is limited to 90° RH or LH if single point or multi-point cams have a stop.

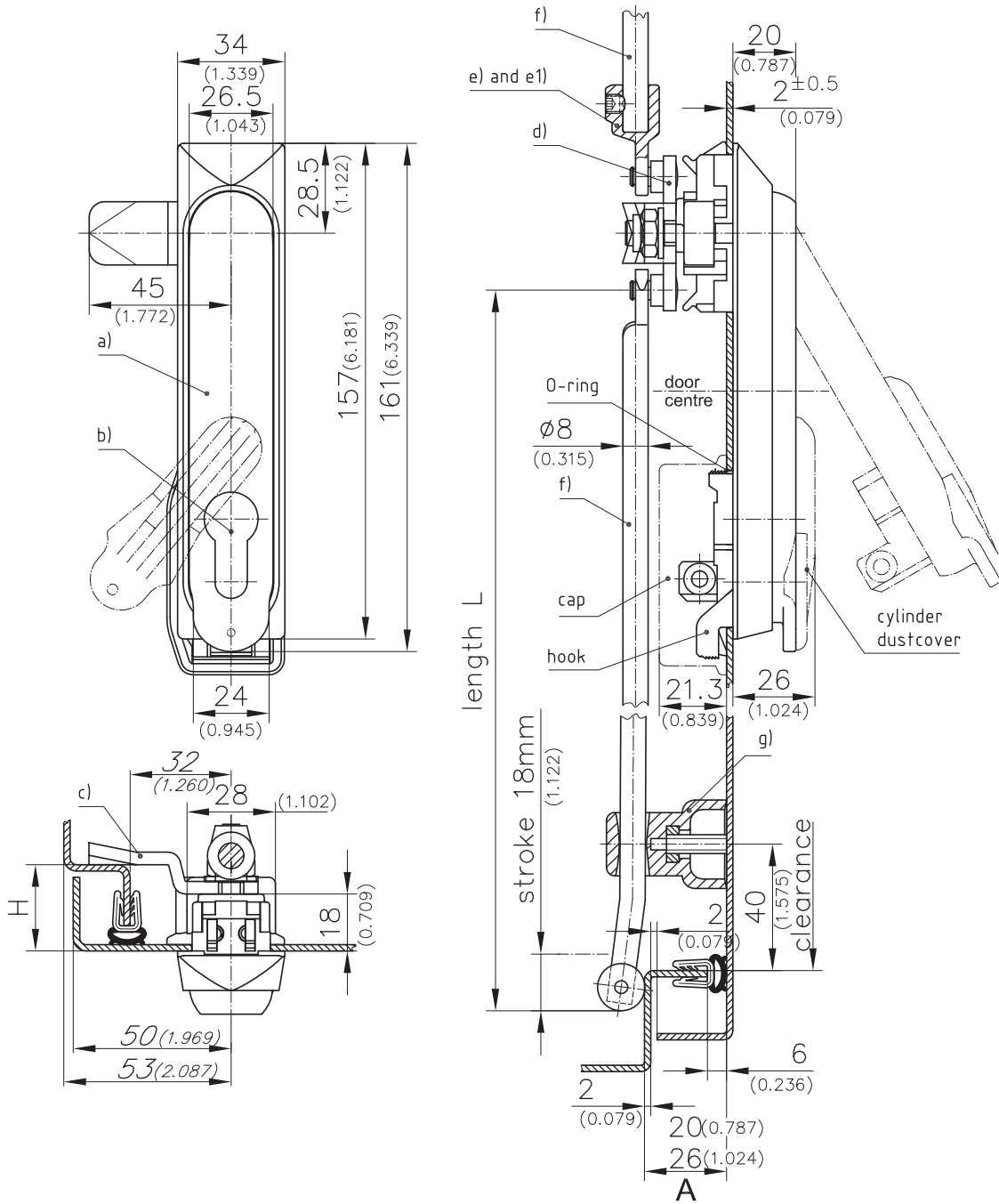
The rotation can be 180°, allowing LH and/or RH rotation for single point and multi-point cams with or without stop.

a) Swinghandle / dish with hook and cap

limitation	stop	Clamping Range Ⓢ	With Dustcover	Without Dustcover	See Page
90°	right	1.3 - 2.0	407-9505.00-00015	407-9506.00-00015	
		1.5 - 2.2	407-9505.00-00018	407-9506.00-00018	
		1.8 - 2.5	407-9505.00-00020	407-9506.00-00020	
90°	left	1.3 - 2.0	407-9507.00-00015	407-9508.00-00015	
		1.5 - 2.2	407-9507.00-00018	407-9508.00-00018	
		1.8 - 2.5	407-9507.00-00020	407-9508.00-00020	
180°	RH/LH	1.3 - 2.0	407-9509.00-00015	407-9510.00-00015	
		1.5 - 2.2	407-9509.00-00018	407-9510.00-00018	
		1.8 - 2.5	407-9509.00-00020	407-9510.00-00020	
b) Profile cylinder					02.65
c) Cams					01.42, 01.101, 01.102
d) 3-point cams					01.101, 03.43
e) Adapter for round rods					03.49
e1) Adapter for round rods					03.50
f) Round rods					03.46, 03.47
g) Rod Guide for bending A20			200-3601.03-00000	200-3601.03-00000	03.52, 03.51
Bending A26			200-3602.03-00000	200-3602.03-00000	

2-090SL Swinghandle RS PrC SNAP-LINE

Tool-less installation, Key actuation, IP65, Cutout C, Round rods



Instructions for installation

