

2-077 Swinghandle RS PrC

Key actuation, IP65, Cutout C, Round rods, Low profile

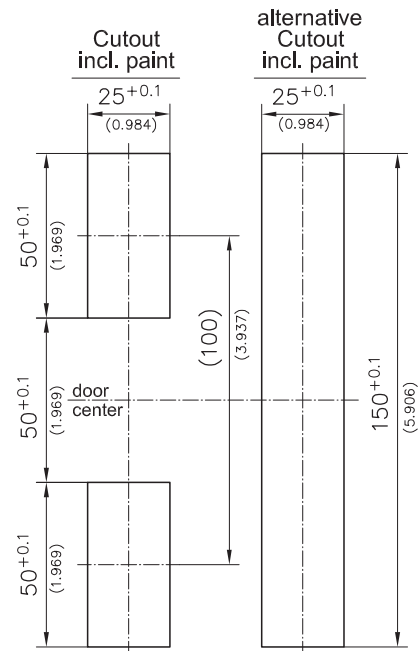
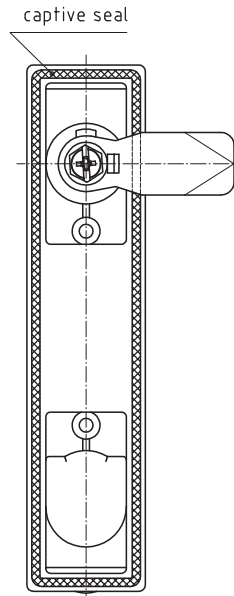
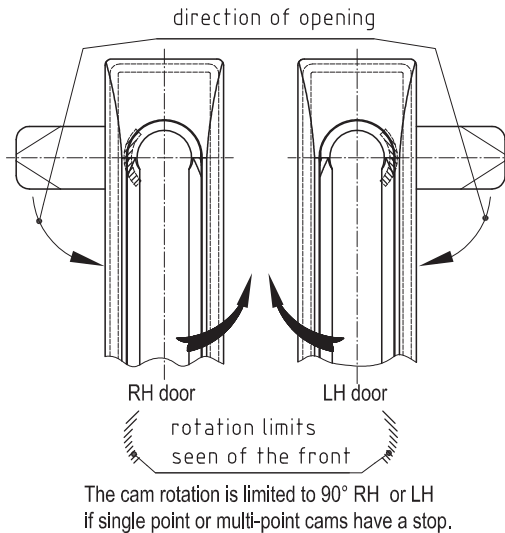


Product Notes:

- Uses 3-point cam and round rods
- Low profile design
- Pre-assembled swinghandle (single or 3-point cam) can be inserted into cutout and secured with screws on panels up to 3mm
- Limiting stop at 90° prevents the cam from being over rotated
- RH and LH application
- Water and dust tight according to IP65, DIN EN 60529
- Uses round cylinder DIRAK 1333 with stainless steel dustcap. Key has synthetic coated grip
- Dimensions of cutout PrC - see Product System 3-010
- NOTE: H-dimension of cam $\geq 16\text{mm}$ (0.630inch).
- Tool-less installation - see Product System 2-077SL

Material:

- **Swinghandle, shaft and bottom:** Zinc Die, Black
- **Door dish:** PA6, Black
- **Cam:** Zinc Die, Untreated
- **O-Ring:** NBR Perbunan
- **Seal:** Polyurethane
- **Screws and clamp:** Steel, Zinc Plated



For tailored rods on product system 1-180 the length L-in case of symmetrical doors (as drawn) is:

$$L = \frac{\text{clearance} - 12\text{mm}(0.472)}{2(0.079)} - 50\text{mm}(1.969) \quad L = \frac{\text{clearance} - 12\text{mm}(0.472)}{2(0.079)} + 50\text{mm}(1.969)$$

For tailored rods on product system 1-180 the length L-in case of rod control at the door center is:

$$L = \frac{\text{clearance} - 12\text{mm}(0.472)}{2(0.079)}$$

	Part No.	See Page
a) Swinghandle	407-9604	
b) Cams		01.42, 01.101, 01.102
c) 3-point cam adapter with stop (incl. 2 c-clips and screw M6x10)	200-9596	03.43
c1) 4-point cam adapter with stop, with eye (incl. 2 c-clips and screw M6x10)	200-9595	03.43
d) Adapter for round rods		03.50
d1) Adapter for round rods		03.49
e) Round rods		03.46, 03.47
f) Rod guide for round rods		03.52, 03.53, 03.51

2-077 Swinghandle RS PrC

Key actuation, IP65, Cutout C, Round rods, Low profile

