

# 1-060 Snap/Push-Lock

Hand operable, Push to close

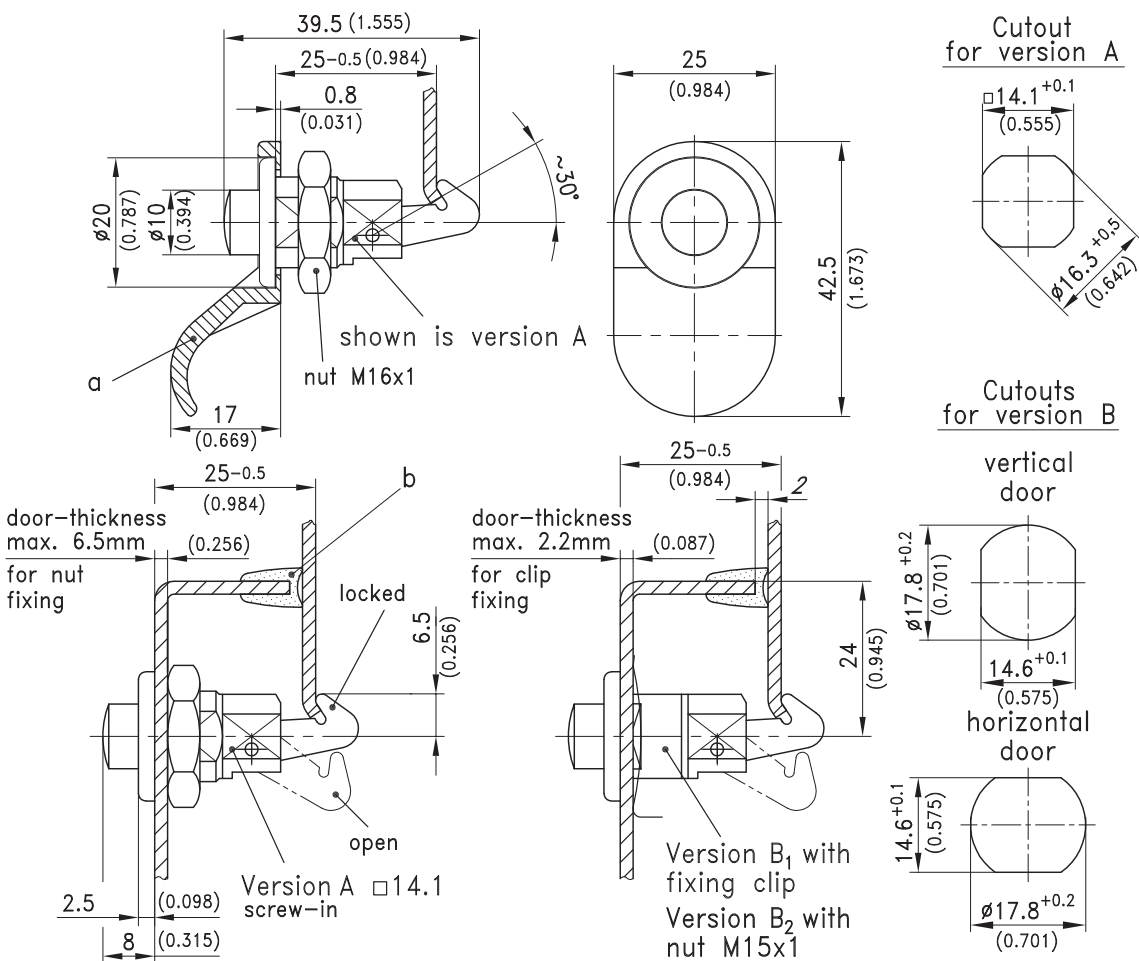


## Product Notes:

- Push to open and push to close
- Fasten to panel with nut or clip
- Released by pushing button in front
- Larger lockable version - see Product System 1-500 or 1-501

## Material:

- Version A:
- **Snap-lock:** Zinc Die, Chrome Plated
  - **Fingerpull:** PA, Black
- Version B:
- **Snap-lock:** Zinc Die, Chrome Plated



c) Snap/Push lock - Version A	Part No.	See Page
A for □ 14.1mm	252-9001	
Order separately:		
a) Finger pull	220-1301	
(Version A only)		
Snap/Push lock - Version B		
B1 with fixing clip	252-9003	
B2 with nut M15x1	252-9004	
b) Rectangular Profiles	209-0301	05.10