

# 2-060SL Pullhandle with Slam-Hook PrC SNAP-LINE

Tool-less installation, Hand operable with or without key, Cutout C, Push to close

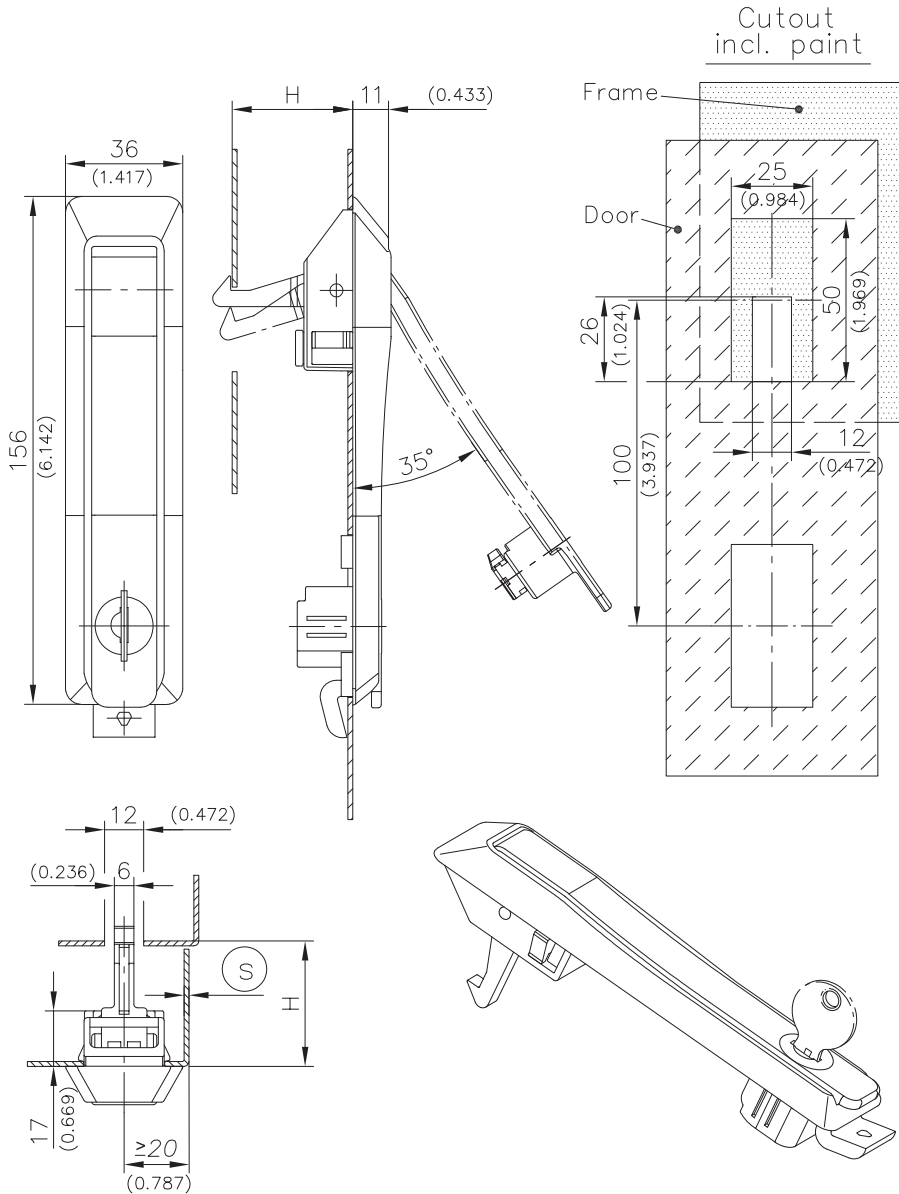


## Product Notes:

- To open - unlock handle and pull handle up 35°  
To close - push handle into dish, lock and push door closed
- RH and LH application
- Non-locked handle has a detent in the door-dish
- Installation:** Hook lower part into bottom of cutout, push top into the top of cutout

## Material:

- Dish:** PA, Black
- Handle:** Zinc Die, Black
- Bolt/hook:** Zinc Die, Untreated
- Wings:** PA
- Pin:** Steel, Zinc Plated
- Locking cylinder:** PA



Pullhandle, with slam hook	Clamping Range <sup>Ⓢ</sup>	H	Keyed Alike 1333	Keyed Different	See Page
	1.2 - 1.7	37	407-9402.00-37015	407-9401.00-37015	
	1.7 - 2.2	37	407-9402.00-37020	407-9401.00-37020	
<b>Other H and <sup>Ⓢ</sup> dimensions on request</b>					
<b>Tool for uninstallation</b>			292-0306.80-02530	292-0306.80-02530	10.17
<b>Tool for uninstallation</b>			292-0301.15-00000	292-0301.15-00000	10.17