

1-030 Quick Fastener

Hand or tool operable, IP65

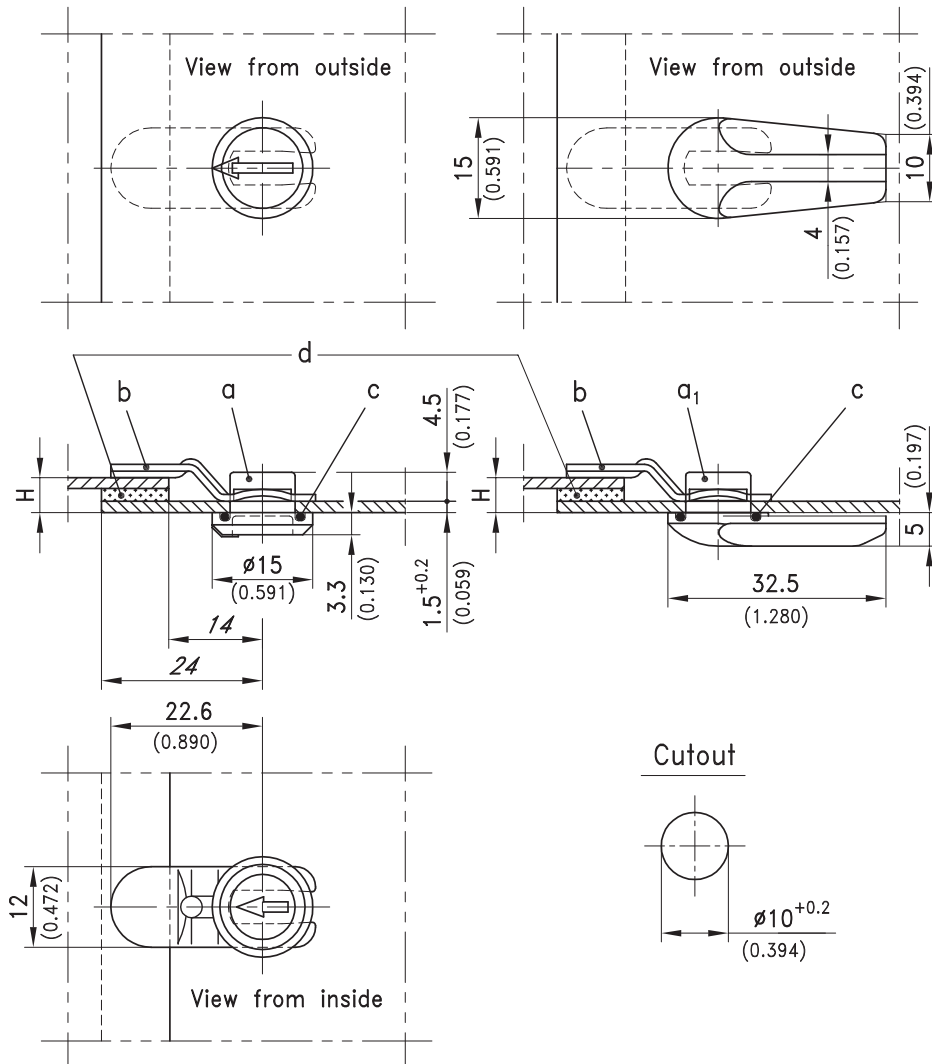


Product Notes:

- Quick fastener for side panels
- Fastener consists of two components
- Water and dust tight according to IP65 with O-ring

Material:

- **Stud:** PA, Black or Grey RAL 7032 or Durethan BKV 30 N1, Matt Black
- **Knob:** PA
- **Cam:** Spring Steel, Zinc Plated



Version	PA Black	PA Grey RAL 7032	Durethan BKV 30 N1 Black Matt
a) Stud	246-0103.03-00000	246-0103.06-07032	246-0103.50-00000
a1) Wing	246-0104.03-00000	246-0104.06-07032	
b) Cam - H 3.5mm / 0.138 inch	246-0202	246-0202	246-0202
Cam - H 5.0mm / 0.197 inch	246-0204	246-0204	246-0204
Order separately:			
c) O-Ring 9.1x1.6mm	220-0601	220-0601	220-0601
d) Rectangular Gasket, See Page	05.21	05.21	05.21