

6-115 Polyamide Lock Cover

Profile cylinder cover

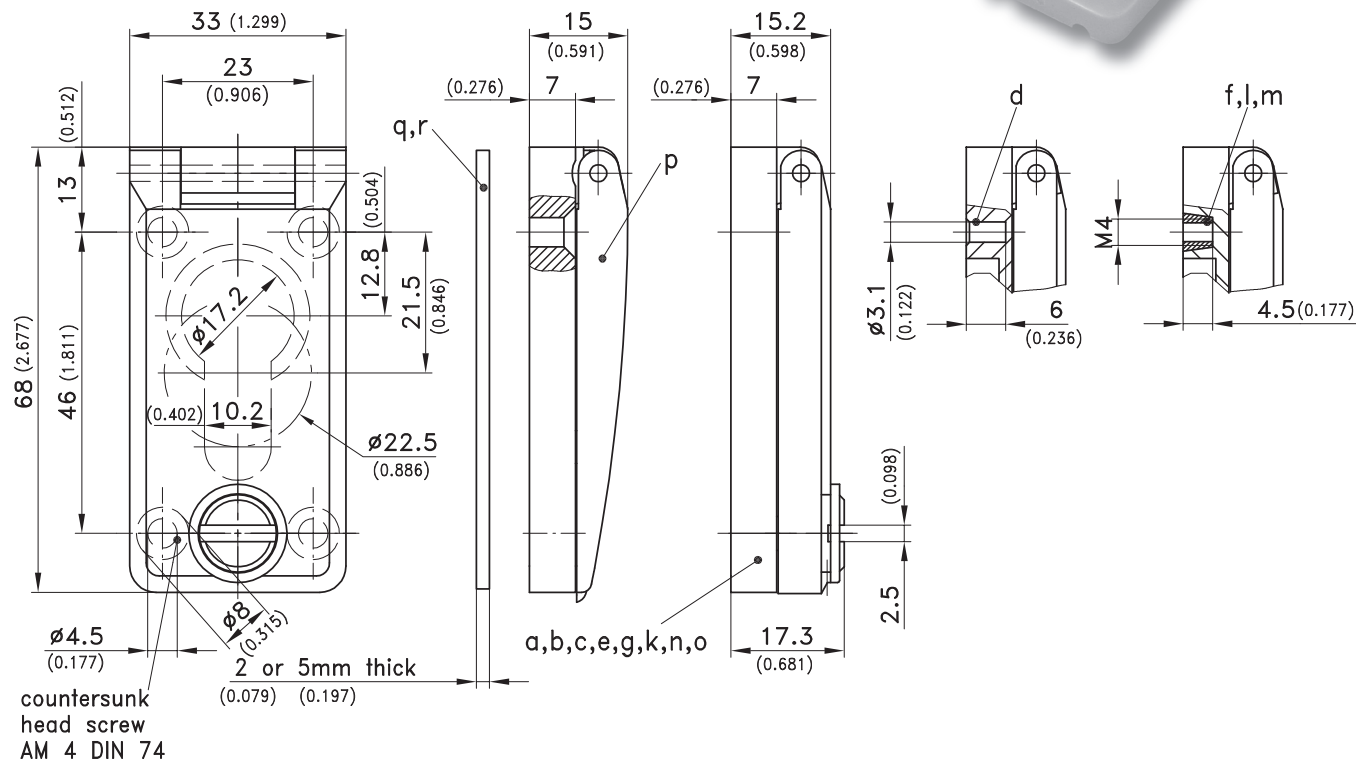


Product Notes:

- Lock cover for profile cylinders and round Quarter-Turns
- Cover opens 180°
- Springloaded cover opens 170°
- Cover is lockable
- Other versions and colors on request

Material:

- **Lower part, cover and small Quarter-turn:** PA, Grey or White RAL 7032, RAL 7035 or RAL 9003
- **Shaft:** Stainless Steel AISI 304 or Steel, Zinc Plated
- **Spring:** Stainless Steel AISI 304
- **Quarter-turn part and bolt:** Brass, Nickel Plated
- **Spacer:** PA, Grey or White RAL 7032, RAL 7035 or RAL 9003



Version	Fastening Method	Color	Part No.
a) Profile cylinder	With countersunk holes	Grey RAL 7032	237-9001
b) as a) but	With countersunk holes	Light grey RAL 7035	237-9051
c) as a) but	With countersunk holes	Signal white RAL 9003	237-9031*
d) as c) but	With blind holes Ø3.1	Signal white RAL 9003	237-8031*
e) as a) but sealable	With countersunk holes	Grey RAL 7032	237-9101
f) as e) but sealable	With bushings M4	Grey RAL 7032	237-9103
g) as e) but cover springloaded	With countersunk holes	Grey RAL 7032	237-8002
p) SOFTLINE cover spring loaded	With countersunk holes	Grey RAL 7032	237-9304
k) Round cylinder Ø22 or round ¼ turns Ø28	With countersunk holes	Grey RAL 7032	237-9002
l) as k) but	With bushings M4	Light grey RAL 7035	237-8004
m) as l) but sealable	With bushings M4	Light grey RAL 7035	237-9154
n) as k) but sealable	With countersunk holes	Grey RAL 7032	237-9102
o) as k) but cover spring loaded	With countersunk holes	Grey RAL 7032	237-9303
q) Spacer 5mm / 0.197 thick, for profile or round cylinder		Grey RAL 7032	237-0401.06-07032*
q1 as q) but		Light grey RAL 7035	237-0401.06-07035*
q2) as q) but		Signal white RAL 9003	237-0401.06-09003*
r) Spacer 2mm / 0.079 thick, only for profile cylinder		Grey RAL 7032	237-0402.06-07032

*Price and delivery time on request.