

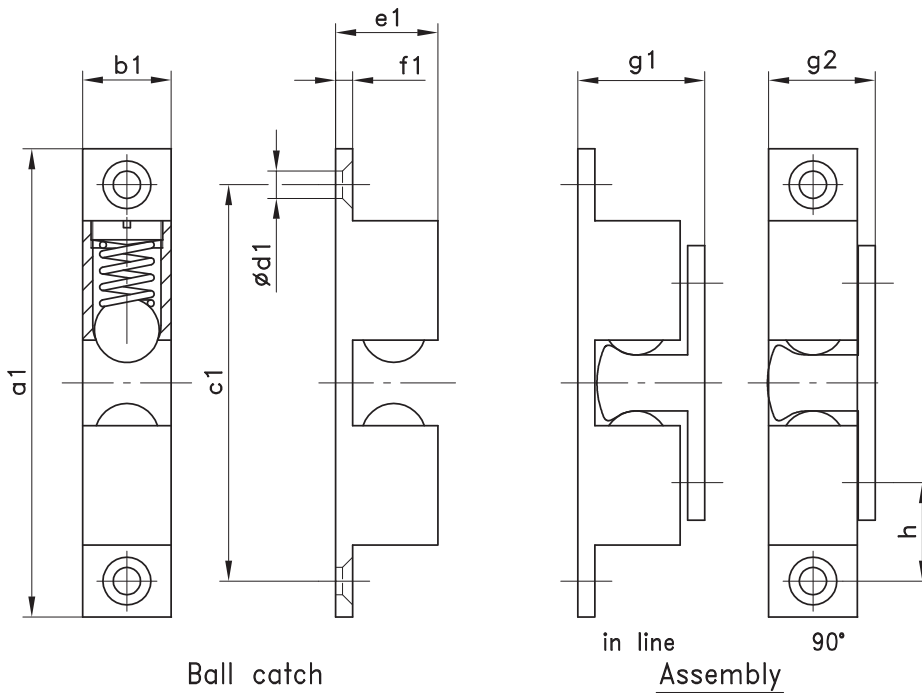
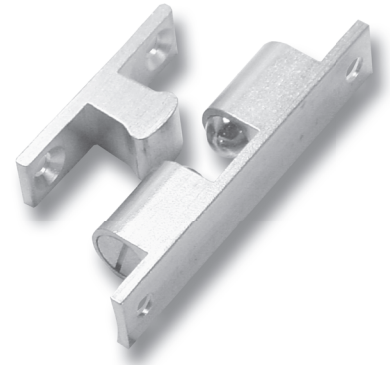
# 6-130 Dual Ball Catch

Hand operable, Push to close



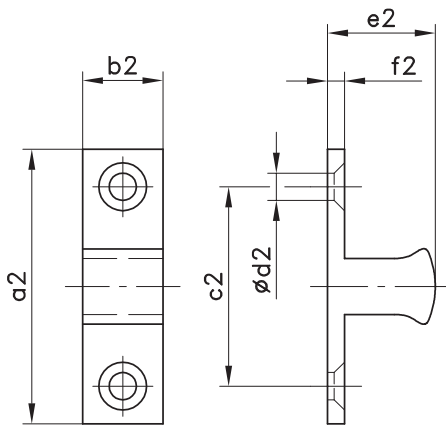
**Material:**

- **Ball catch and counterpart:** Brass or Brass, Chrome Plated
- **Spring:** Stainless Steel
- **Ball:** Stainless Steel



Ball catch

in line  
90°  
Assembly



Counterpart

| Part No. |               | Ball catch |      |      |     |      |     | Counterpart |     |      |     |      |     | Assembly |      |      |
|----------|---------------|------------|------|------|-----|------|-----|-------------|-----|------|-----|------|-----|----------|------|------|
| Brass    | Chrome Plated | a1         | b1   | c1   | d1  | e1   | f1  | a2          | b2  | c2   | d2  | e2   | f2  | g1       | g2   | h    |
| 263-9001 | 263-9007      | 43.5       | 8.0  | 35.0 | 3.8 | 9.4  | 2.0 | 24.7        | 7.5 | 15.2 | 3.8 | 9.8  | 1.7 | 11.8     | 9.7  | 9.9  |
| 263-9002 | 263-9008      | 49         | 8.8  | 39.8 | 3.8 | 10.6 | 2.0 | 28.8        | 7.6 | 19.8 | 3.8 | 11.2 | 2.0 | 13.2     | 10.8 | 10.0 |
| 263-9003 | 263-9009      | 59.8       | 11.2 | 49.8 | 5.2 | 13.2 | 2.4 | 34.8        | 10  | 24   | 5.2 | 13.5 | 2.2 | 15.9     | 13.4 | 12.9 |
| 263-9004 | 263-9010      | 68.4       | 13.0 | 58.0 | 5.2 | 15.0 | 2.4 | 40.2        | 12  | 30   | 5.2 | 15.7 | 2.3 | 18.1     | 15.2 | 14.0 |