

7-911 Door Catcher with Catch Pin

Stainless Steel,

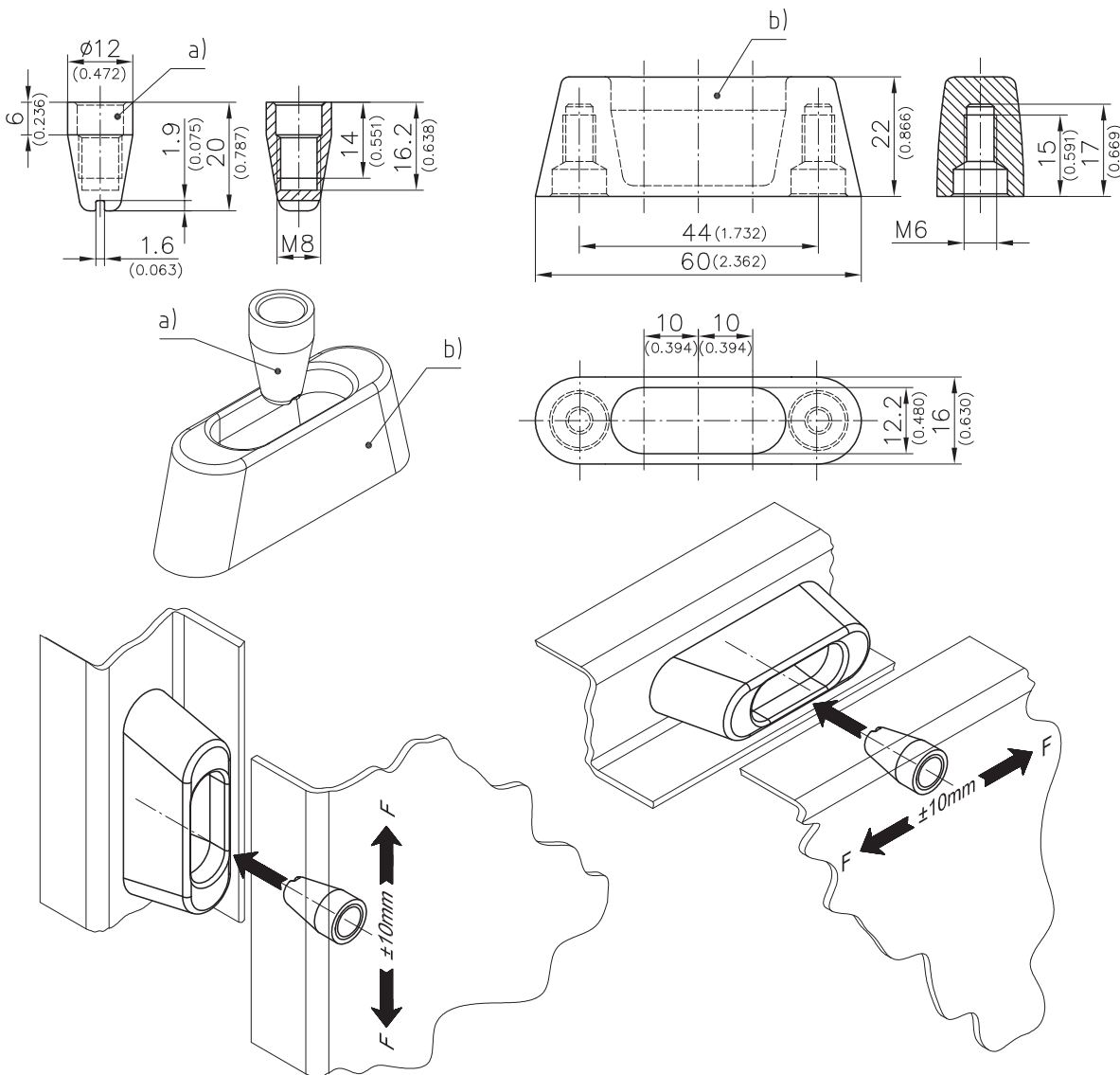


Product Notes:

- Door catch with catch pin - two parts
- Adjusts so "door to frame" always in the right position
- Horizontal and vertical application
- Applicable when cabinets are exposed to dynamic loading (e.g. vibrations and shocks).
- Locking of the door – even if vibrations loads occur.
- A "hanging" of the door will be balanced.
- The Door leaf will be screwed onto a welding stud, M8.
- The Frame leaf will be mounted with screws, M6.

Material:

- Door catcher with catch pin:
Stainless Steel AISI 316Ti



Door Catcher with Catch Pin

Part No.
241-9201