

7-072 Dish Handle PrA

Hand operable, Stainless Steel, IP65, Cutout A, Multit-point

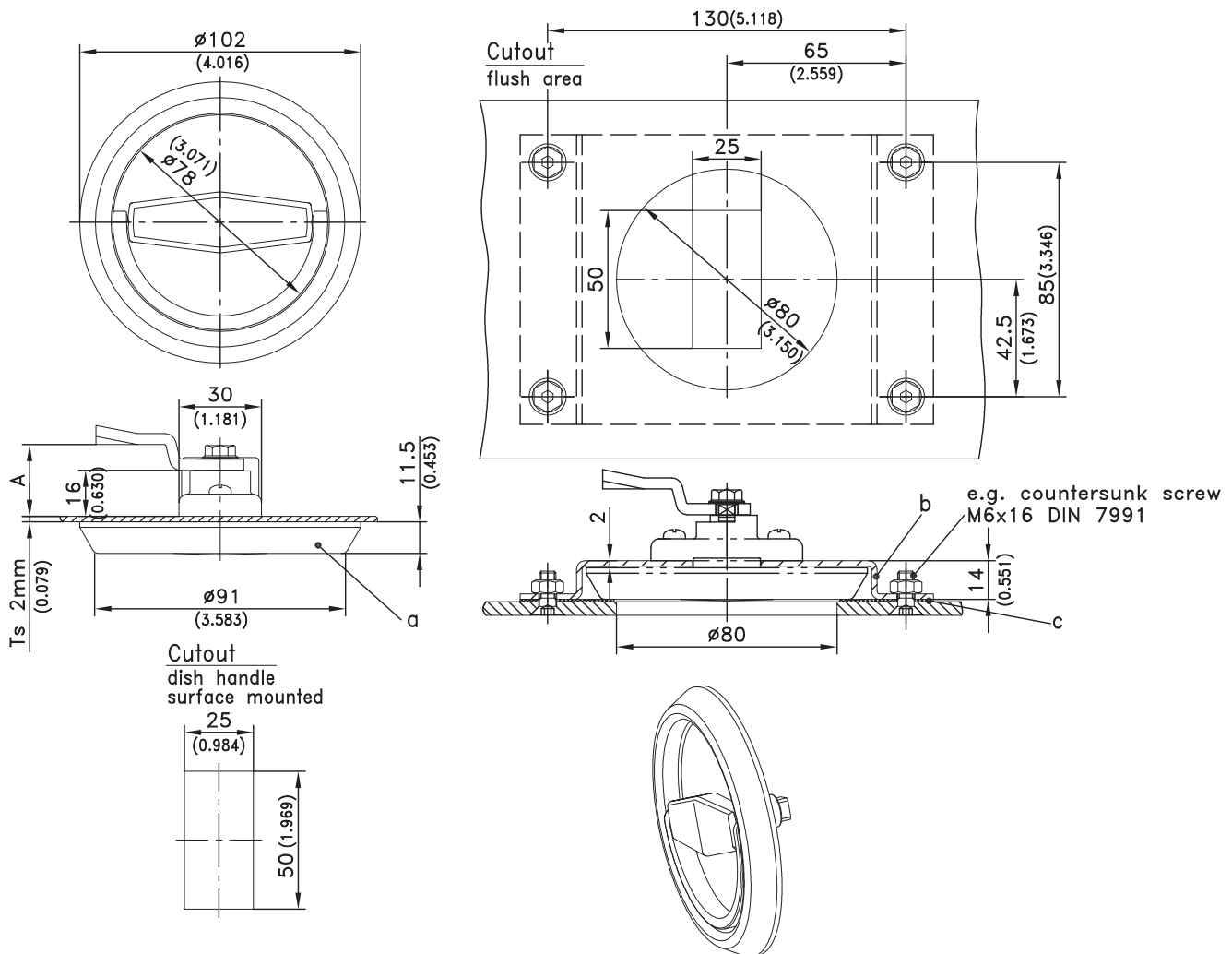


Product Notes:

- Dish handle for 2 or 3-point cam
- Can be flush mounted
- Water and dust tight according to IP65, DIN EN 60529
- Properties of material AISI 316 Ti:
The titanium increases the corrosion resistance particularly the intercrystalline corrosion at the grain boundaries

Material:

- **Dish handle and adapter bracket:**
Stainless Steel AISI 316Ti, Cast
- **Flat external seal:** Inducon



	Part No.	See Page
a) Dish handle with O-rings (IP65) Cams/3-point cams	208-9638	01.24, 03.42
Optional for flush area mounting:		
b) Adapter bracket	207-3605.90	
c) Flat external seal	200-0905	