

6-296 Bezels

Round or oblong

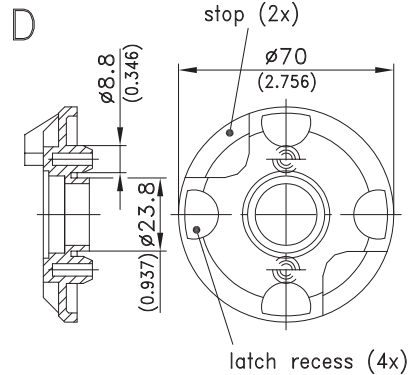
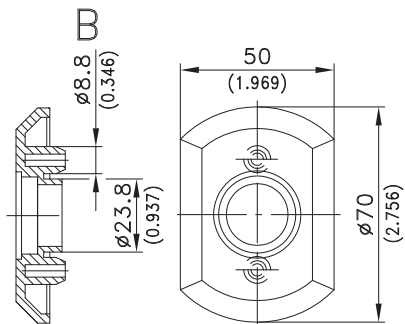
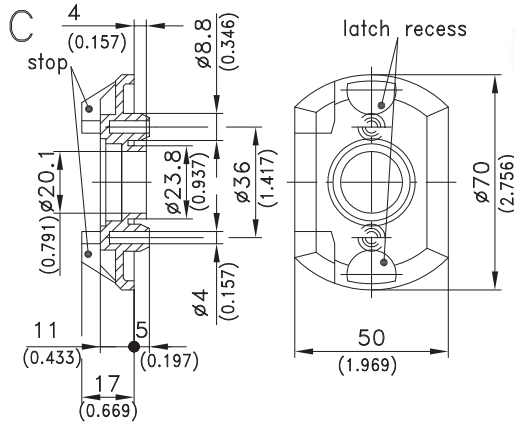
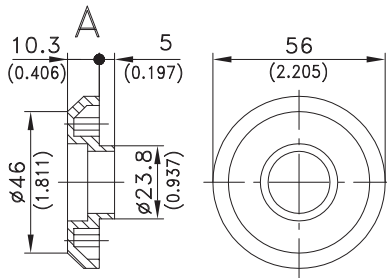
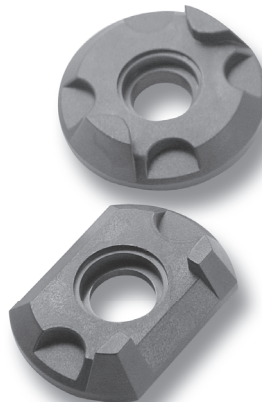


Product Notes:

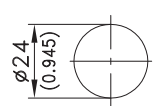
- Bezels - round and oblong

Material:

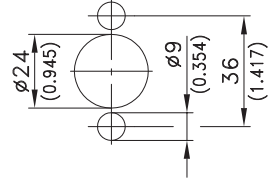
- Bezels: PA, Black



Cutout
for bezel A



Cutout
for bezels B, C and D



Version	Part No.
A Round bezel without stop	232-0401
B Bezel	232-0402
C Oblong bezel for 180° rotation, with 2 stops and 2 latch recesses.	232-0409
D Round bezel for 90° rotation, lockable with 2 stops and 4 latch recesses.	232-0410.00-00001
Bezel like version D but without latch recesses	232-0410.03
Flat seal, oblong	232-1401
Flat seal, round	232-1402