

# 6-310 Latch System

Hand operable, Heavy duty

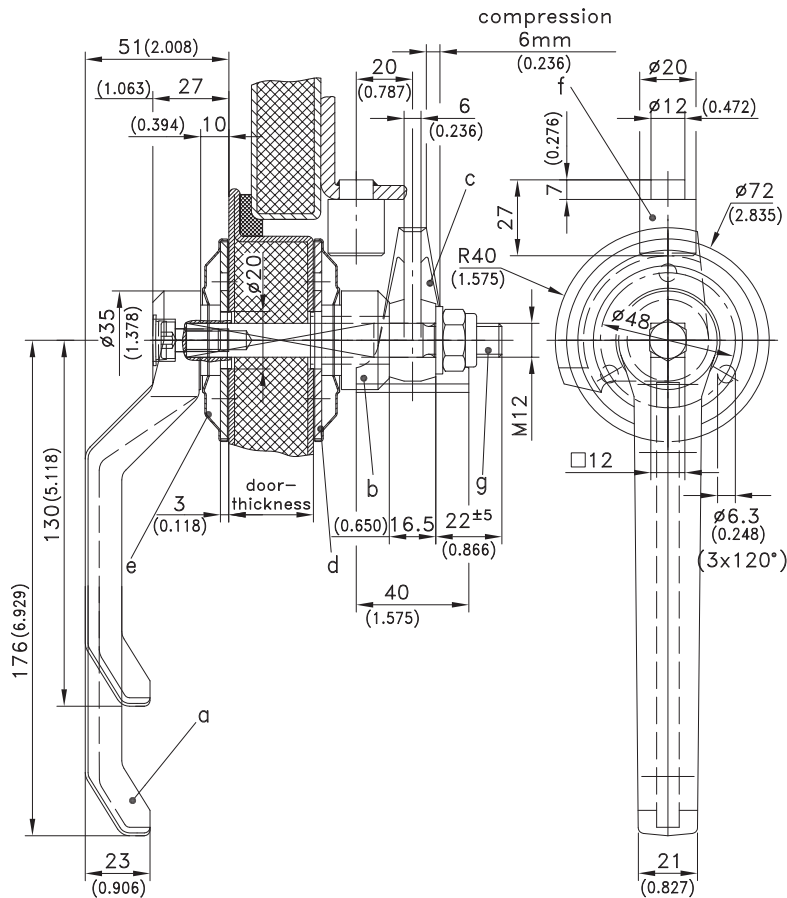


## Product Notes:

- Instead of bearing "d" and bezel "e" the round polyamide bezel e.g. 232-0401 or polyamide bezel 232-0402 / 03 can be used - see Product System 6-296

## Material:

- **Handle outside:** PA, Black
- **Core:** Steel, Zinc Plated
- **Locking cam:** Aluminium
- **Spacer, bearing plate, bezel, locking stub and shaft, complete:** Steel, Zinc Plated



Version	Part No.	See Page
a) Handle outside	Length 130 / 5.118	232-0201
Handle outside	Length 176 / 6.929	232-0202
a1) Handle outside	Length 130 / 5.118	232-0207
(Steel, Zinc Plated core)	Length 176 / 6.929	232-0208
b) Spacer		232-0701
c) Locking cam		232-0601
d) Bearing plate steel Zinc Plated		232-0404
e) Bezel steel Zinc Plated		232-0405
PA bezels		07.33
f) Locking stub		232-0801
g) Complete shaft with socket-head screw, small cover, washer and self locking nut		
	Door thickness	Part No.
	20±5 / 0.787±0.197	232-9103
	30±5 / 1.181±0.197	232-9104
	40±5 / 1.575±0.197	232-9105
	50±5 / 1.969±0.197	232-9106
	60±5 / 2.362±0.197	232-9107
	80±5 / 3.150±0.197	232-9109
	100±5 / 3.937±0.197	232-9111