

6-300 Latch System

Hand operable, Heavy duty, Handles on both sides

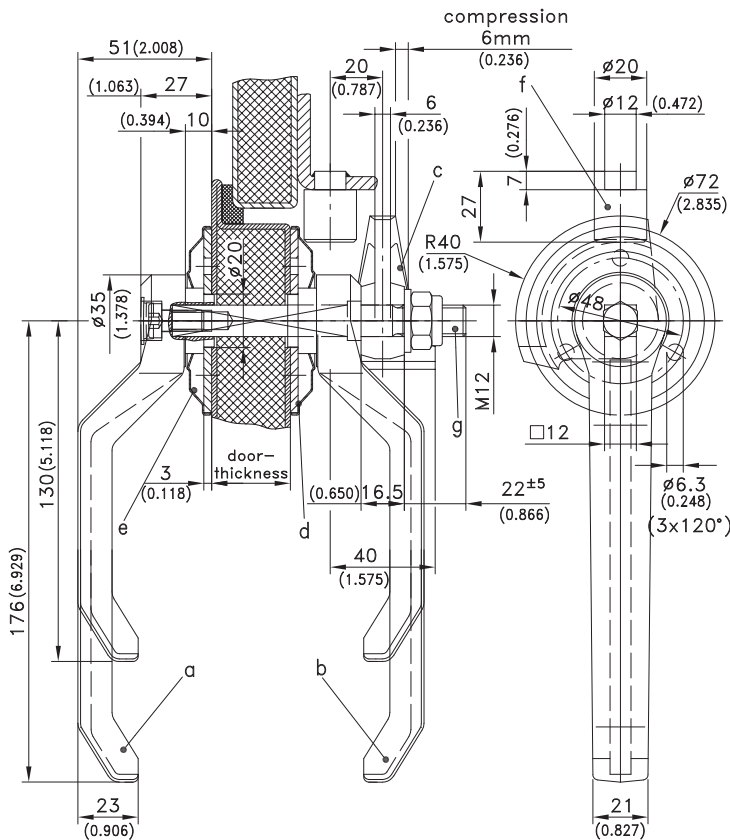


Product Notes:

- Instead of bearing d) and bezel e), round polyamide bezel (232-0401 or polyamide bezel (232-0402 / 03) can be used - see Product System 6-296

Material:

- **Handle in- and outside** PA, Black
- **Core:** Steel, Zinc Plated
- **Locking cam:** Aluminium
- **Bearing plate, bezel, locking stub and shaft, complete:** Steel, Zinc Plated



Version	Part No.	See Page
a) Handle outside	length 130 / 5.118	232-0201
Handle outside	length 176 / 6.929	232-0202
a1) Handle outside	length 130 / 5.118	232-0207
(Steel, Zinc Plated core)	length 176 / 6.929	232-0208
b) Handle inside	length 130 / 5.118	232-0301
Handle inside	length 176 / 6.929	232-0302
b1) Handle inside	length 130 / 5.118	232-0303
(Steel, Zinc Plated core)	length 176 / 6.929	232-0304
c) Locking cam		232-0601
d) Bearing plate steel Zinc Plated		232-0404
e) Bezel steel Zinc Plated		232-0405
PA bezels		07.33
f) Locking stub		232-0801
g) Complete shaft with socket-head screw, small cover, washer and self locking nut		
	Door thickness	Part No.
	20±5 / 0.787±0.197	232-9103
	30±5 / 1.181±0.197	232-9104
	40±5 / 1.575±0.197	232-9105
	50±5 / 1.969±0.197	232-9106
	60±5 / 2.362±0.197	232-9107
	80±5 / 3.150±0.197	232-9109
	100±5 / 3.937±0.197	232-9111