

6-295 Handle

Hand operable with key or tool, IP65, Heavy duty

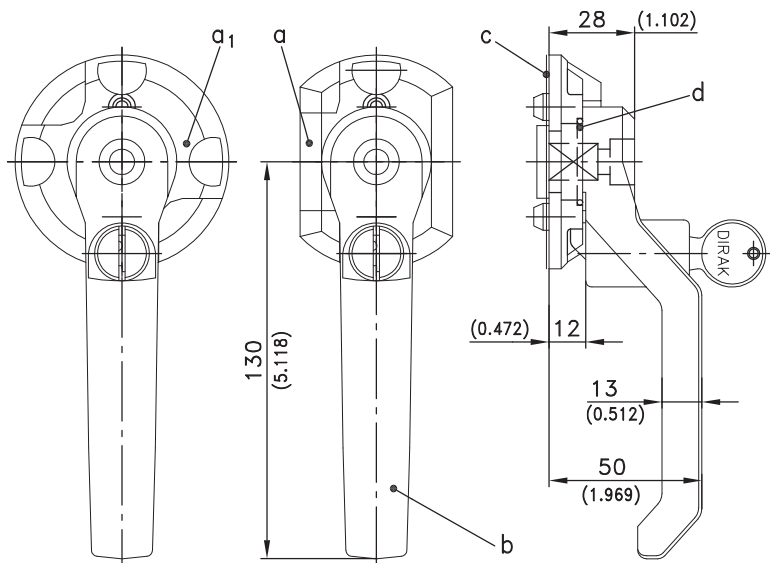


Product Notes:

- Oblong bezel: 180° opening angle with 2 stops and 2 latch recesses
- Round bezel: 90° opening angle, lockable with 2 stops and 4 recesses

Material:

- **Bezel:** PA, Black
- **Handle:** PA, Black
- **Insert:** Zinc Die, Chrome Plated



		See Page
Order separately:		
a) Oblong bezel	232-0409	07.33
a1) Round bezel	232-0410.00-00001	07.33
b) Handle, with barrel		
Keyed alike DIRAK 1333*	232-9303	
Keyed alike DS200*	532-9303	
Keyed different	232-9304	
b1) Handle, fitted with insert		
Square 6mm	232-9401	
Square 7mm	232-9402	
Square 8mm	232-9403	
Square 8mm slotted	232-9404	
Triangular 6.5 CNOMO Type 1	232-9405	
Triangular 7mm	232-9406	
Triangular 8mm	232-9407	
Triangular 9mm EDF	232-9408	
Double bit 3mm pin	232-9409	
Double bit 5mm pin	232-9410	
Socket hex. 6mm	232-9411	
Socket hex. 10mm	232-9412	
Square socket 6mm	232-9413	
Square socket 7mm	232-9414	
Square socket 8mm	232-9415	
Daimler Benz type	232-9416	
Slotted 2x4mm deep	232-9417	
Crown type	232-9418	
Slotted recessed coinproof	232-9419	
Crescent Czech	232-9420	
Additional inserts on request		
Water and dust tight according to IP65 DIN EN 60529:		
c) Flat seal, oblong	232-1401	
c1) Flat seal, round	232-1402	
d) O-ring 25x2mm	232-1501	
All other parts		07.33, 07.28
* with stainless dust-shutter		