

6-270 Heavy Duty Handle

Hand operable

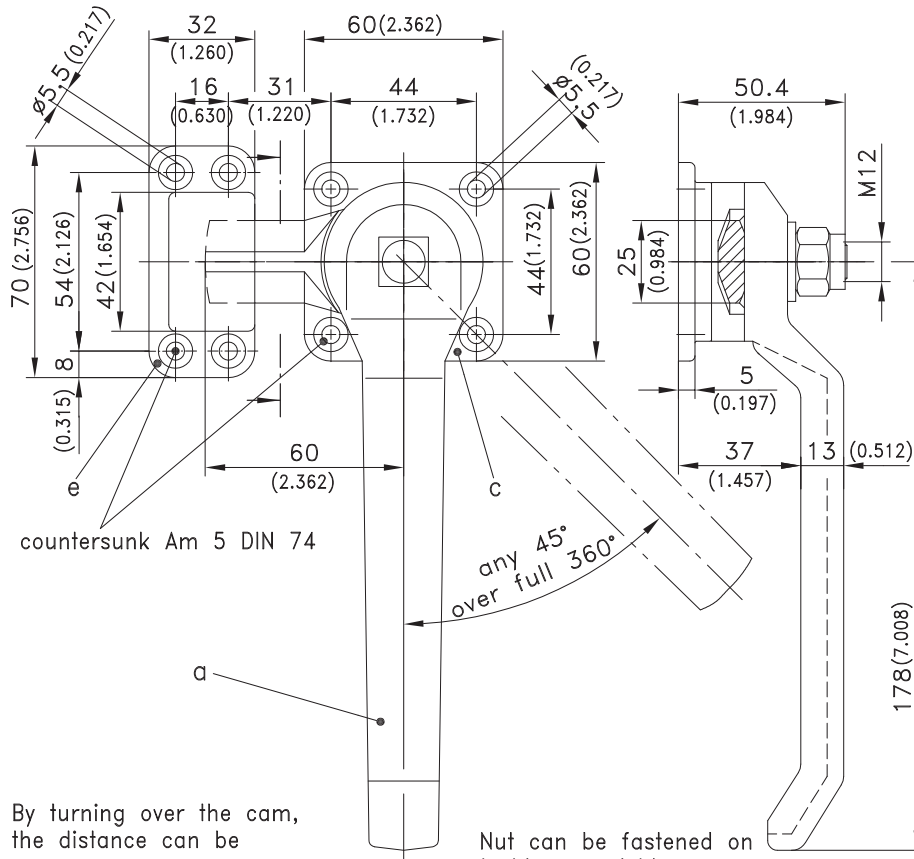


Product Notes:

- RH or LH application
- Cam can be turned and fastened at any 45° angle

Material:

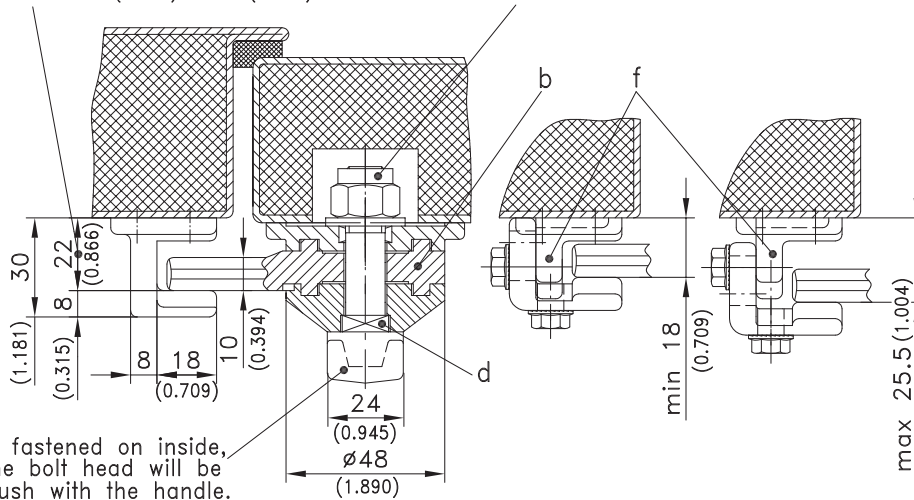
- **Handle, cam, base plate and hook:** EN-GJMW-400-5 DIN EN 1562, Zinc Plated
- **Shaft:** Steel, Zinc Plated



countersunk Am 5 DIN 74

By turning over the cam, the distance can be either 18(0.709) or 22(0.866)

Nut can be fastened on inside or outside.



If fastened on inside, the bolt head will be flush with the handle.

a) to d) Handle

e) Hook

f) Hook, adjustable

Part No.

232-9001

232-1201

232-9201