

6-125SL Slam Latch PrA SNAP-LINE

Tool-less assembly, Hand operable with or without key, Push to close, Low profile

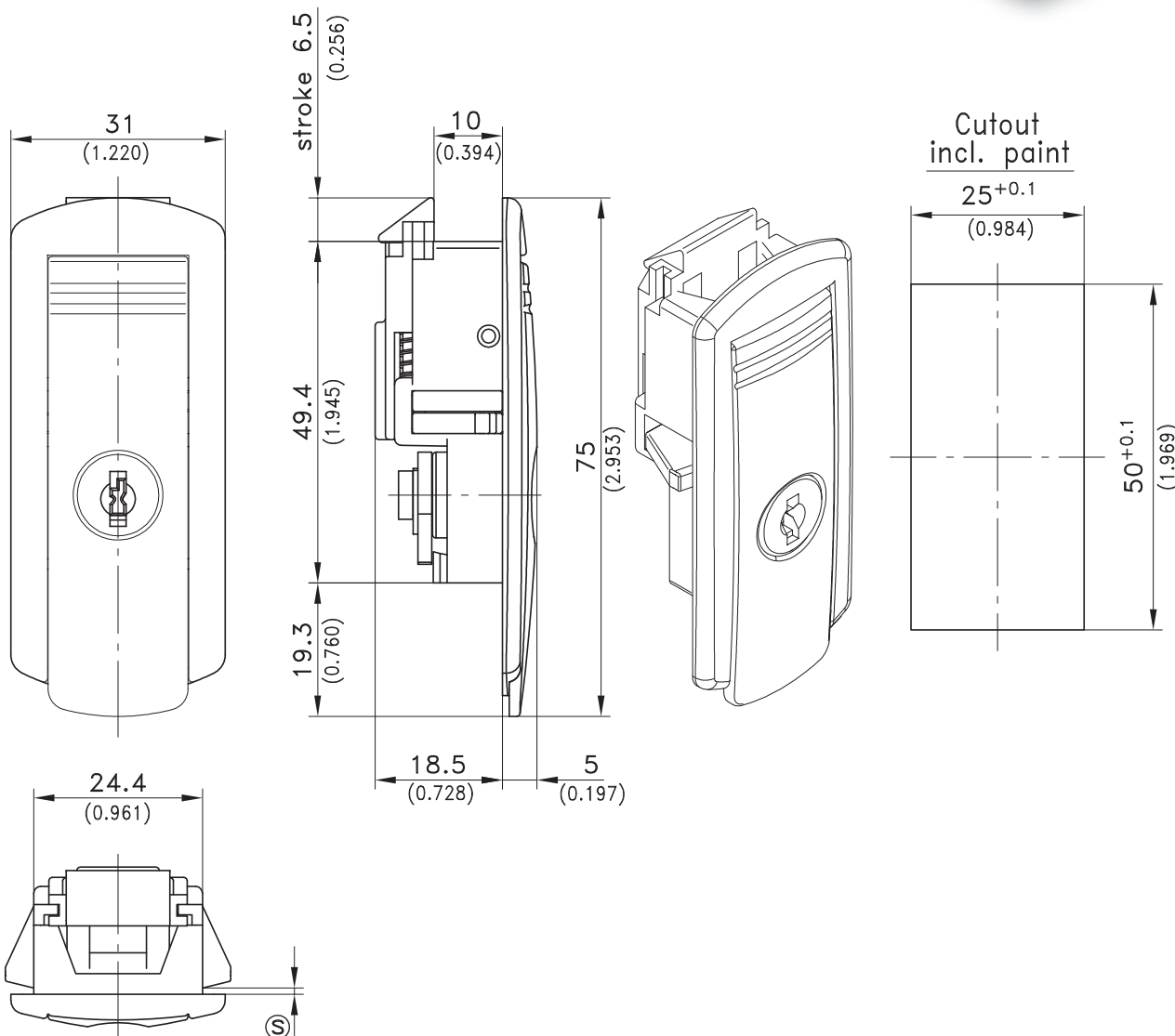


Product Notes:

- Use to latch small doors or panels
- To open: unlock, push the top of the handle or pull bottom to disengage the spring loaded catch
- The catch is spring loaded for push to close operation
- **Installation:** Slide the top into the cutout and then push bottom into cutout

Material:

- **Housing, handle and slam-bolt:** PA, Black
- **Cam:** Steel, Zinc Plated
- **Pin:** Steel, Zinc Plated
- **Wings:** Sintered Steel



Clamping Range [Ⓢ]	With Cylinder Without key	With Cylinder With 2 Keys and Ring	Without Cylinder (blind plug)
1.2 - 1.7	482-9001.00-00015	482-9002.00-00015	482-9003.00-00015
1.7 - 2.2	482-9001.00-00020	482-9002.00-00020	482-9003.00-00020
2.2 - 2.7	482-9001.00-00025	482-9002.00-00025	482-9003.00-00025
2 keys and ring	205-9530.00-23211	-	-

Other [Ⓢ] - dimensions on request