

6-122SL Slide Latch SNAP-LINE

Tool-less assembly, Hand operable, Push to close, Vibration resistant

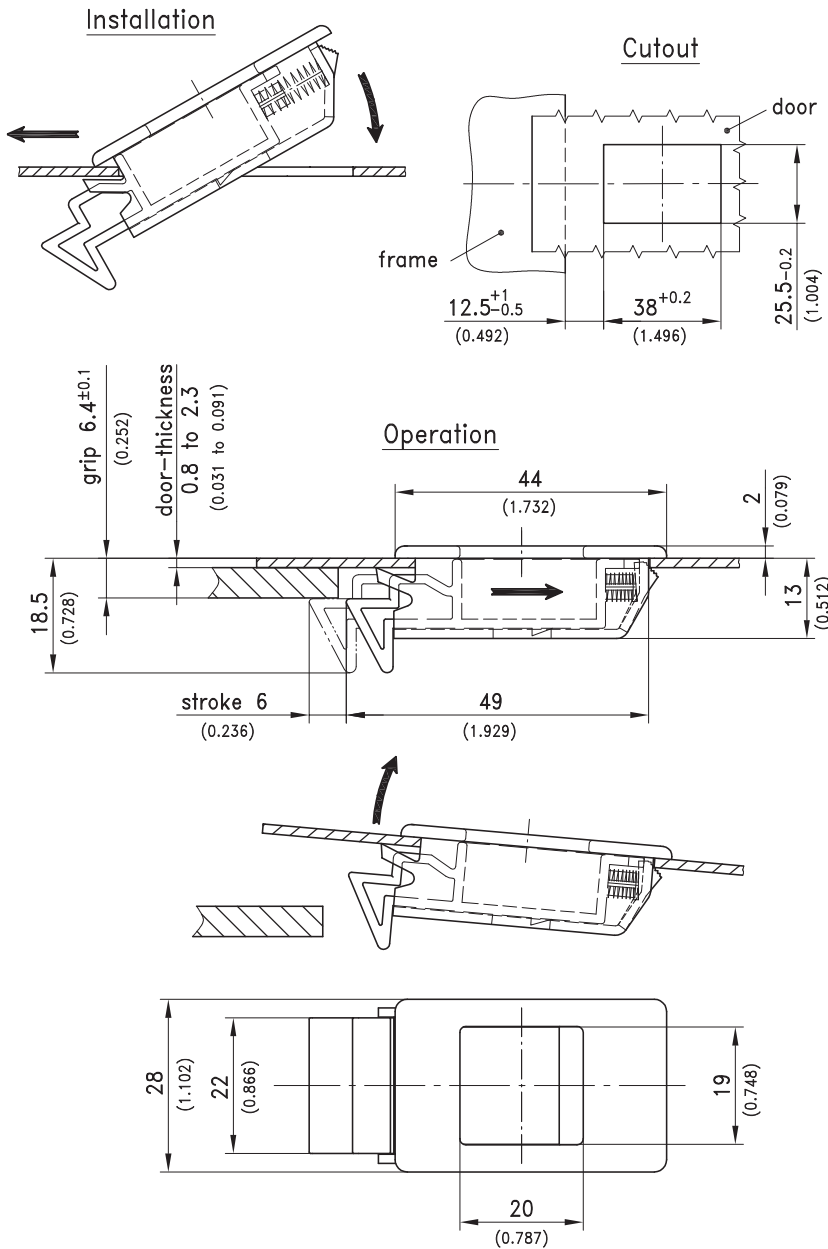
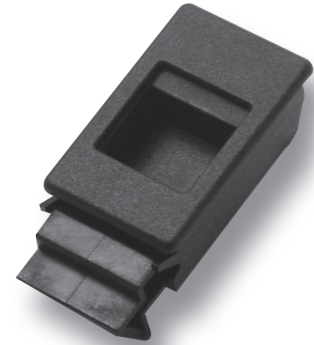


Product Notes:

- Accommodates panel thickness of 0.8mm - 2.3mm (0.031 - 0.091)
- Two piece design. Housing remains fixed when operating eliminating damage to painted panel surface
- Non-corrosive
- Visible finger slide to open panel
- Vibration resistant

Material:

- **Slide latch and housing:** PA, Different Colors
Other colors and color combinations on request
- **Spring:** Stainless Steel



Version	Color	Part No.
Slide Latch	Black	282-9001
Slide Latch	Grey RAL 7035	On request
Slide Latch	Red RAL 3020	On request