

6-120 Slam-Lock

Tool operable, Push to close

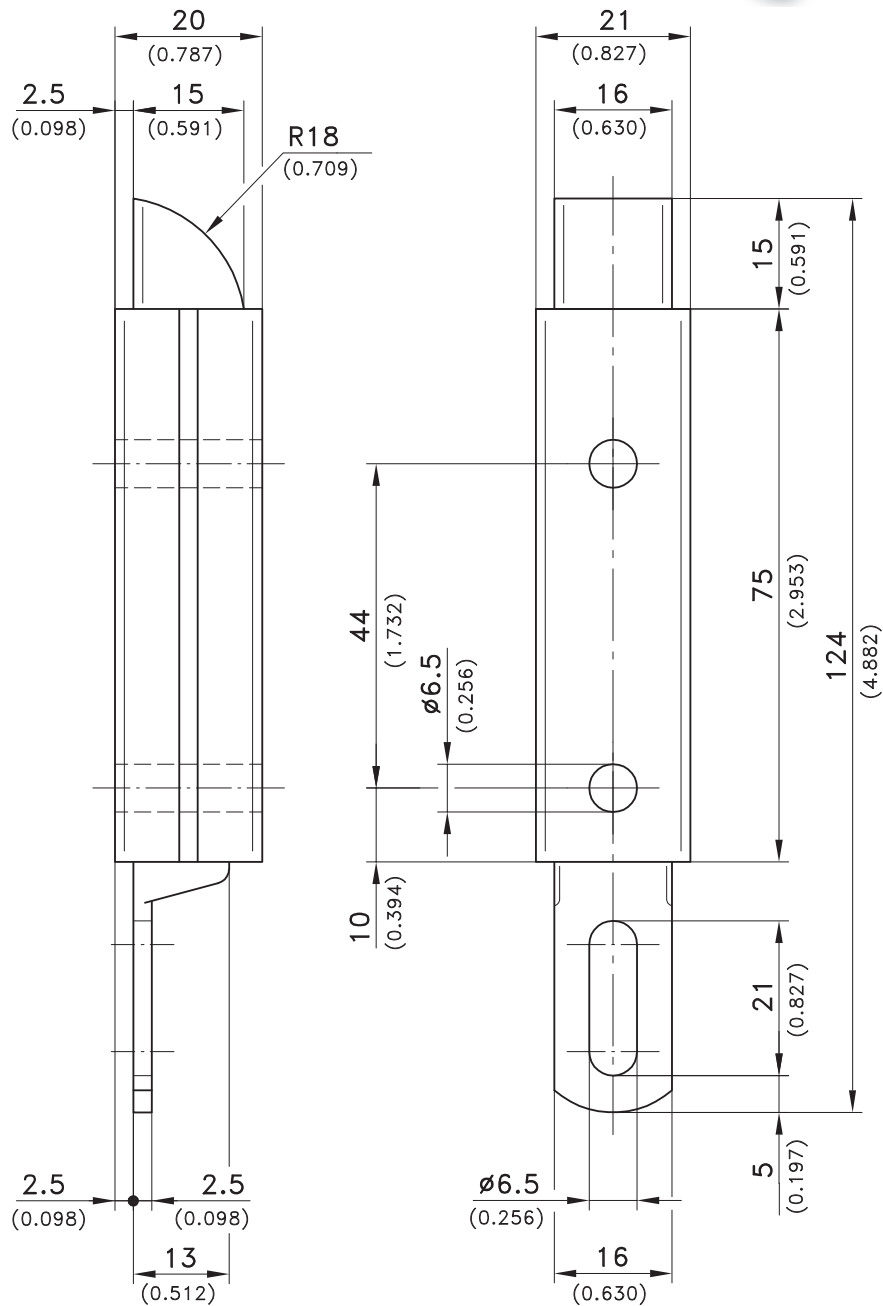


Product Notes:

- Robust push to close latch
- Fasten to panel with screws

Material:

- Steel, Zinc Plated



Slam Lock

Part No.
229-9001