

1-501 Snap-Lock L31.5/36.5

Hand operable with or without key, Push to close

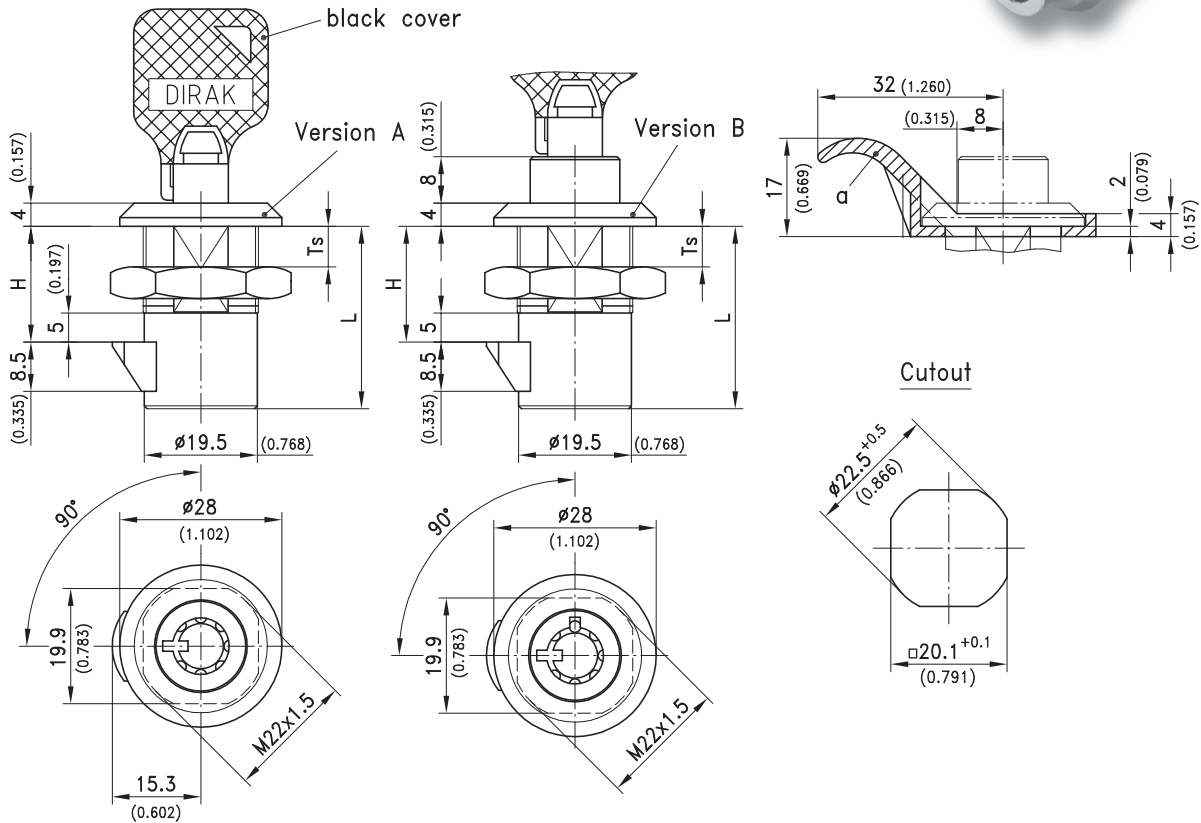


Product Notes:

- Push to close latch - two versions:
Version A: Spring loaded cam is operated with special key
Version B: Spring loaded cam is operated with a push button with locking option

Material:

- **Snap-Lock:** Zinc Die, Chrome Plated
- **Nut:** Zinc Die



				See Page
Housing Length	L	31.5	36.5	
Door thickness	Ts max.	10	15	
Latching distance	H	20	25	
A Snap-lock Key controlled with plain grounding nut				
Keyed alike DIRAK D0205		264-9002	264-9004	
Keyed different		264-9001	264-9003	
B Snap-lock Push-button controlled with plain grounding nut				
Non locking		264-9009	-	
Keyed alike DIRAK D0205		264-9006	264-9008	
Keyed different		264-9005	264-9007	
All locks supplied with two keys.				
Order separately:				
a) Finger pull		200-4703.03	200-4703.03	01.106
By using a finger pull the dimensions Ts and H decreases by 2mm				