

6-280 Heavy Duty Latch System

Hand operable, IP65, Handles on both sides

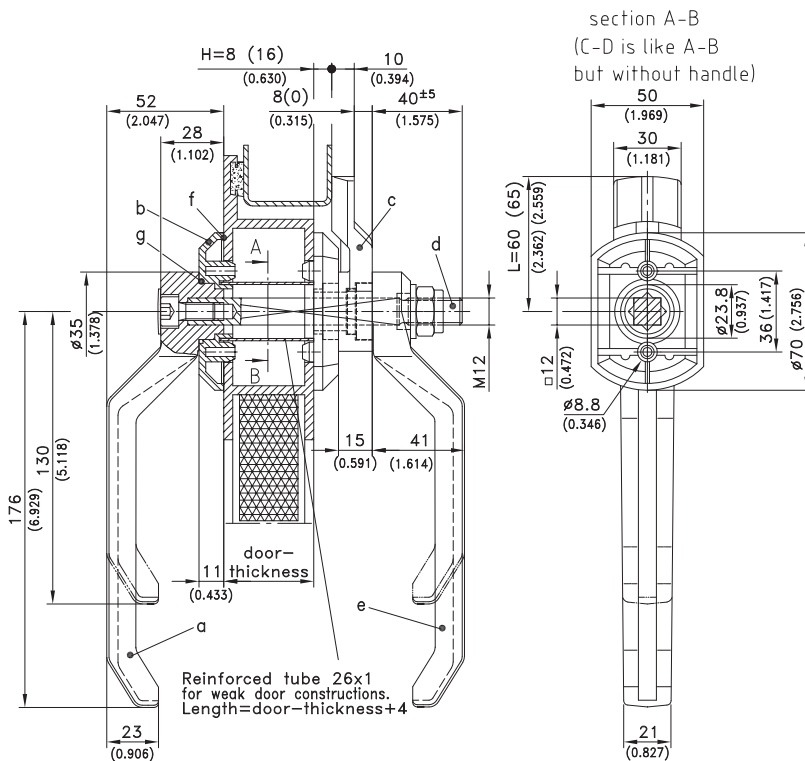
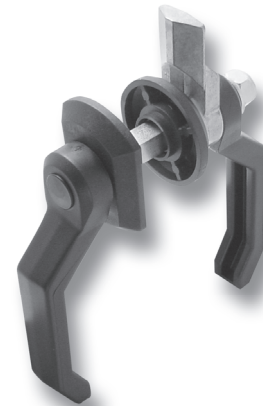


Product Notes:

- Heavy duty
- Instead of bezels, steel bearing plate 232-0404 with bezel 232-0405 can be used - see Product System 6-300 (both steel, zinc plated)
- Cutout - see Product System 6-296

Material:

- **Handle:** PA, Black
- **Handle core:** Steel, Zinc Plated
- **Bezel:** PA, Black
- **Cam:** Zinc Die
- **Shaft:** Steel, Zinc Plated



Version	Part No.	See Page
a) Handle outside	Length 130 / 5.118	232-0201
Handle outside	Length 176 / 6.929	232-0202
a1) Handle outside	Length 130 / 5.118	232-0207
(Steel, Zinc Plated core)	Length 176 / 6.929	232-0208
e) Handle inside	Length 130 / 5.118	232-0301
Handle inside	Length 176 / 6.929	232-0302
e1) Handle inside	Length 130 / 5.118	232-0303
(Steel, Zinc Plated core)	Length 176 / 6.929	232-0304
b) Bezel		232-0402
all bezels		07.33
c) Cam	H=8 / 0.315, L=60 / 2.362	232-0501
Cam	H=16 / 0.630, L=65 / 2.559	232-0502
d) Complete shaft with socket-head screw, small cover, washer and self locking nut		
	Door thickness	Part No.
	20±5 / 0.787±0.197	232-9103
	30±5 / 1.181±0.197	232-9104
	40±5 / 1.575±0.197	232-9105
	50±5 / 1.969±0.197	232-9106
	60±5 / 2.362±0.197	232-9107
	80±5 / 3.150±0.197	232-9109
	100±5 / 3.937±0.197	232-9111

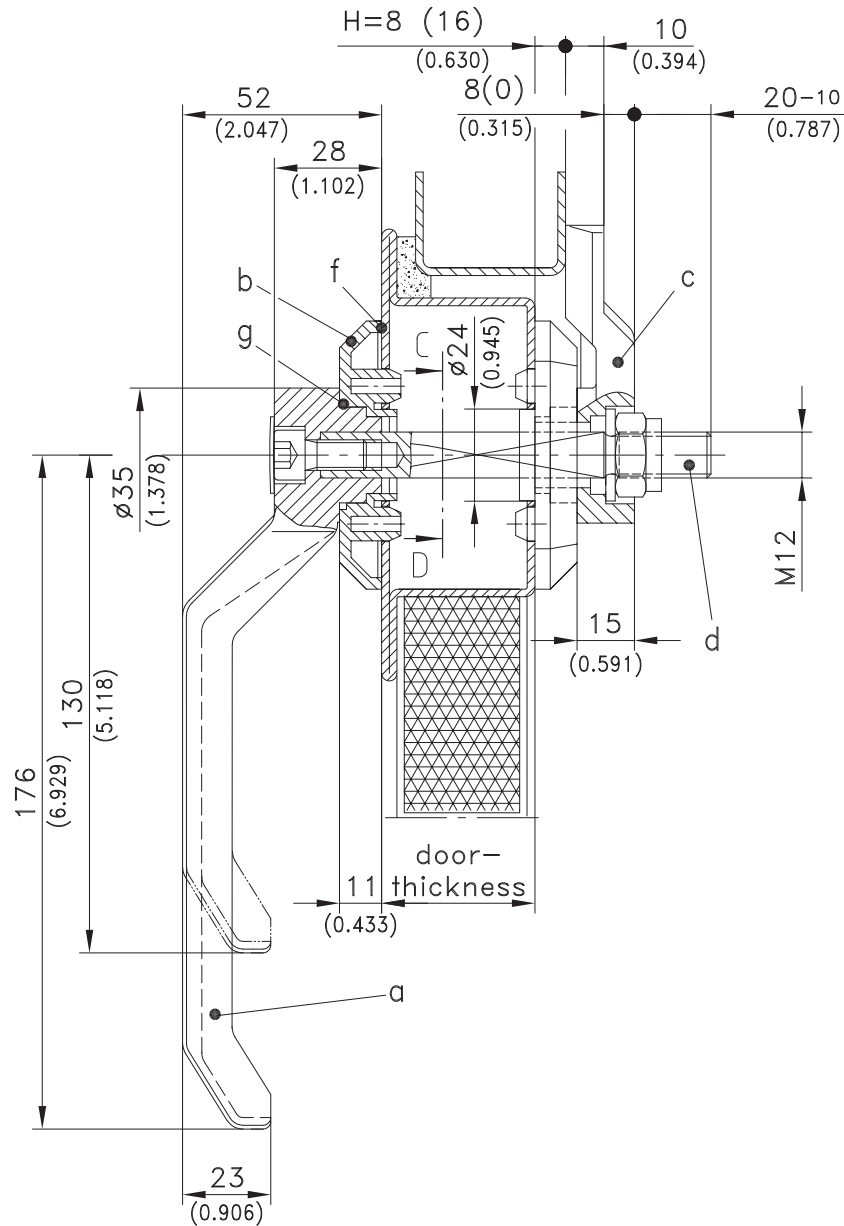
Order separately:

Water and dust tight according to IP65 by:

f) Flat seals	07.33
g) O-ring 25x2mm	232-1501

6-280 Heavy Duty Latch System

Hand operable, IP65, Handles on both sides



See Page

- a) Handle outside (see left table)
- a1) Handle outside (Steel, Zinc Plated core) (see left table)
- b) Bezel (see left table)
- c) Cam (see left table)
- d) Complete shaft with socket head screw, small cover, washer and self locking nut

Door thickness	Part No.
20±10 / 0.787±0.394	232-9101
30±10 / 1.181±0.394	232-9102
40±10 / 1.575±0.394	232-9103
50±10 / 1.969±0.394	232-9104
60±10 / 2.362±0.394	232-9105
80±10 / 3.150±0.394	232-9107
100±10 / 3.937±0.394	232-9109

Order separately:

Water and dust tight according to IP65 DIN EN 60529:

- f) Flat seals 07.33
- g) O-ring 25x2mm 232-1501