

6-1680 Handle for Sliding Doors

Hand operable, Push to close

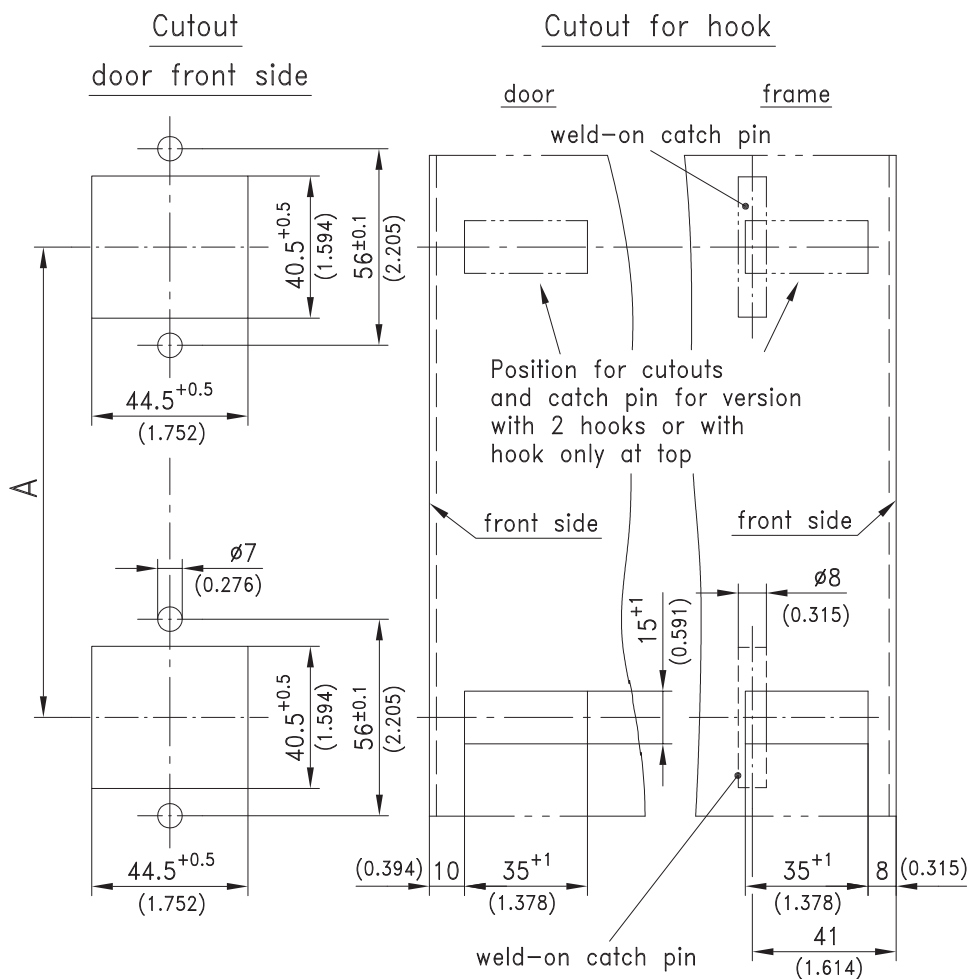


Product Notes:

- Designed for machinery sliding doors
- Pulling the handle to slide the door disengages the latching hook. This feature is possible by separating the mechanical latching from the handle - achieved by a hooked cam with a free stroke
- A $\varnothing 30$ mm round tube is attached to two latching devices to create complete handle
- The latching devices can be applied with or without the latching hook

Material:

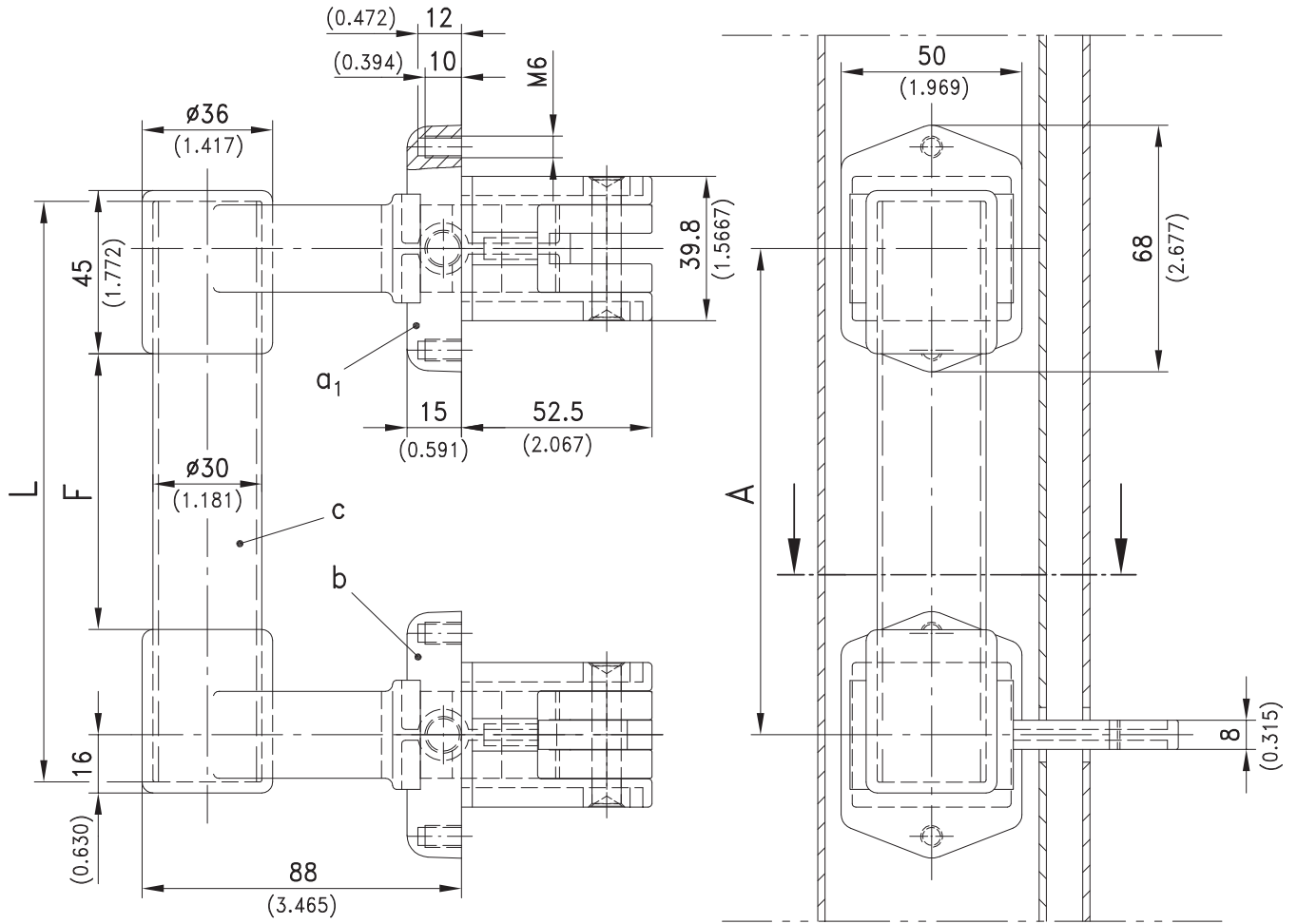
- **Base:** Zinc Die, Black
- **Tube housing:** Zinc Die, Black
- **Pins:** Brass
- **Spring:** Stainless Steel
a) and b) add.
- **Hooked cam:** Steel, Zinc Plated
- **Handle-tube:** Steel Tube with Synthetic Coating, Black
- **Stainless steel on request**



Version referring to situation as drawn	Opening Direction of Sliding Door			
	LH		RH	
a) Latching device top with hooked cam (not drawn)	280-9001	280-9003		
a1) Latching device top without hooked cam (as drawn)	280-9002	280-9004		
b) Latching device bottom with hooked cam (as drawn)	280-9003	280-9001		
b1) Latching device bottom without hooked cam (not drawn)	280-9004	280-9002		
c) Handle- tube	L in mm / inch	A in mm/inch	F in mm/inch	Part No.
	266 / 10.472	244 / 9.606	186 / 7.323	213-0401
	366 / 14.409	344 / 13.543	286 / 11.260	213-0402
	466 / 18.346	444 / 17.480	386 / 15.197	213-0403
	566 / 22.283	544 / 21.417	486 / 18.134	213-0404
	666 / 26.220	644 / 25.354	586 / 23.071	213-0405
	766 / 30.157	744 / 29.291	686 / 27.008	213-0406

6-1680 Handle for Sliding Doors

Hand operable, Push to close



shown is a sliding-door with opening direction "left"

