

# 6-162SL Compression Latch SNAP-LINE

Tool-less assembly, Hand operable with or without key, Push to close, Adjustable compression

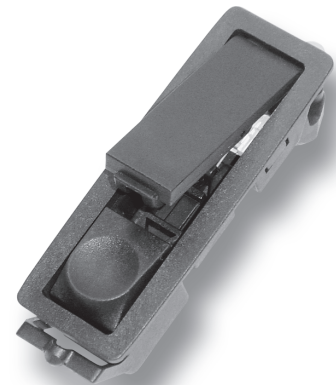


## Product Notes:

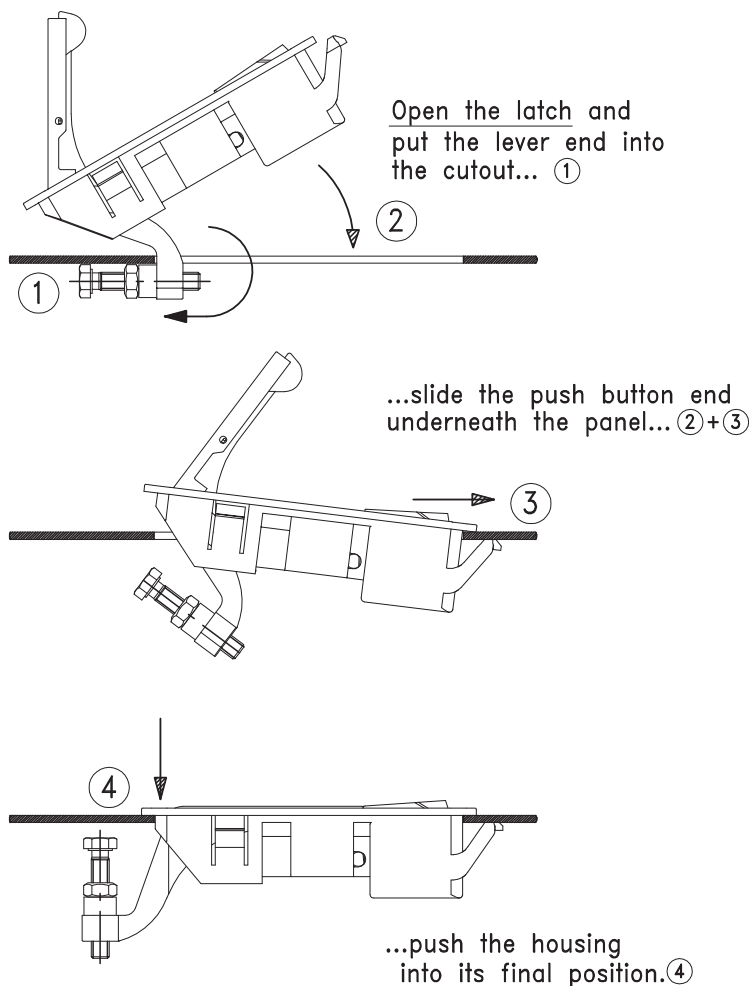
- Low profile design
- Two versions:  
Panel thickness - 1.4mm - 3mm  
Panel thickness - 3mm - 3.4mm
- Pre-assembled latch can be installed in the panel
- Wide hook and the two clips ensure a strong attachment in the panel
- Adjusting screw increases or decreases the sealing pressure
- Screw-on - see Product System 6-160 and 6-160.01

## Material:

- **Compression latch:** PA, Black
- **Screw and nut:** Steel, Zinc Plated
- **Spring:** Stainless Steel



## Mounting instruction



Compression Latch	Door Thickness	Door Thickness
	1.4mm - 3mm (0.055 to 0.118)	3mm - 3.4mm (0.118 to 0.134)
Non locking	282-9408	282-9410
Keyed alike DIRAK 1333*	282-9407	282-9411
Keyed different*	282-9409	282-9412
* with stainless dust-shutter		

# 6-162SL Compression Latch SNAP-LINE

Tool-less assembly, Hand operable with or without key, Push to close, Adjustable compression

