

6-160 Compression Latch

Hand operable with or without key, Push to close, Adjustable compression

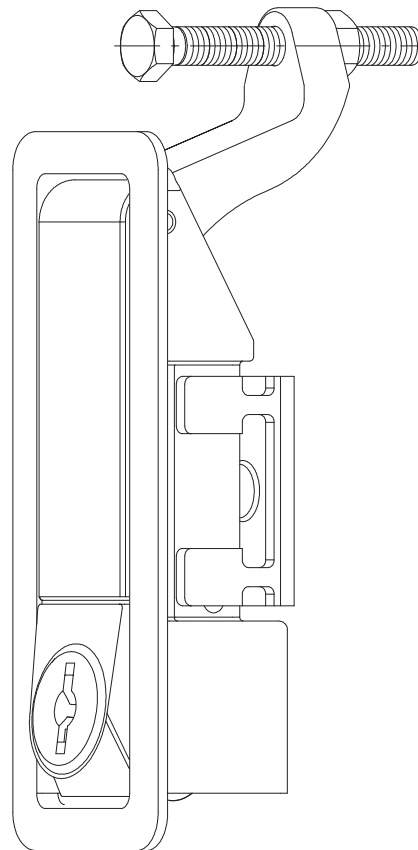
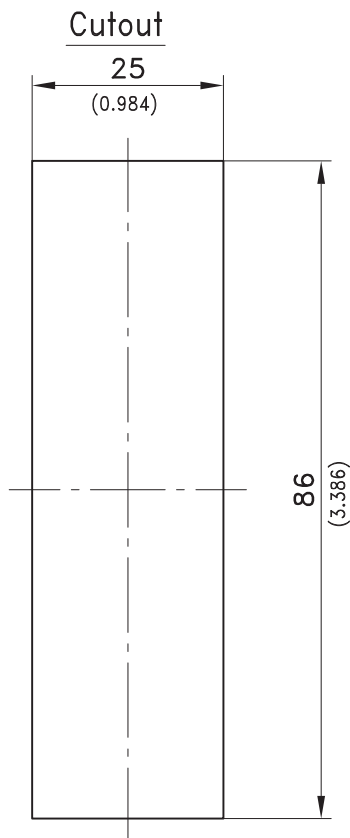
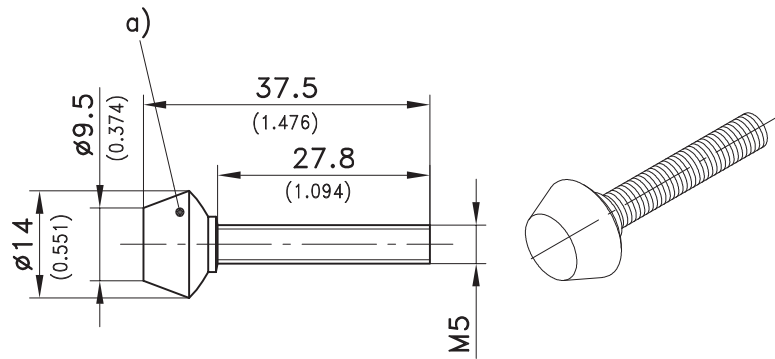


Product Notes:

- Pre-assembled with fastening bracket
- Installed in the cutout and fastened by rotating the fastening screw from the outside
- Latch cannot be removed from the panel in the closed position
- Adjusting screw increases or decreases the sealing pressure
- Adjustment screw is positioned under the lever (refer to A). On request the nut can be positioned on top of lever (Refer B) which decreases the maximum H-dimension 4mm
- Other zinc die- see Product System 6-160.01
- Tool-less installation- see Product System 6-162SL

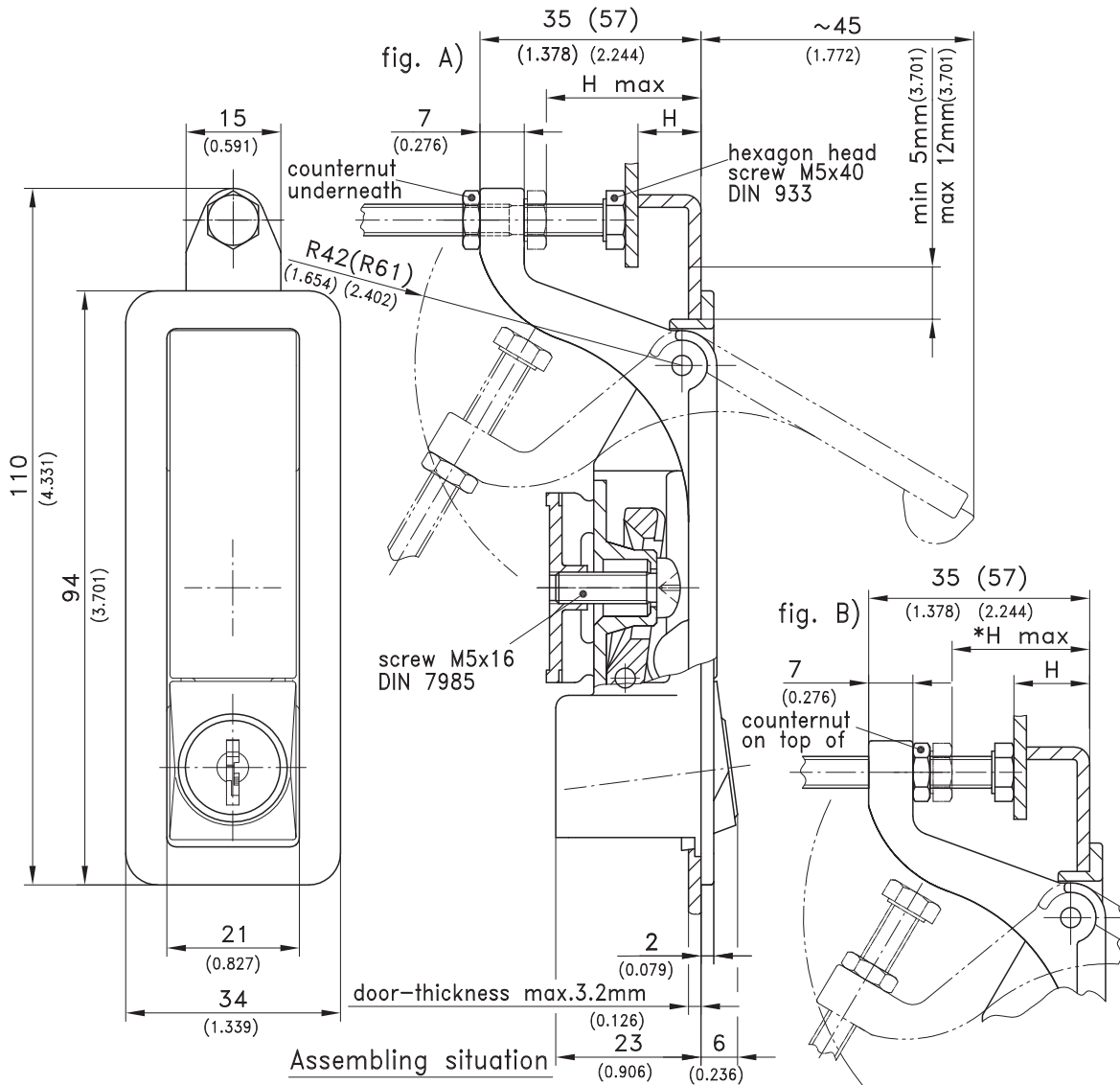
Material:

- **Compression Latch:** Zinc Die, Black, Powder Coated
- **Other colors on request**

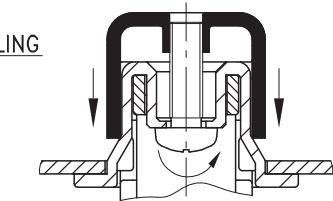
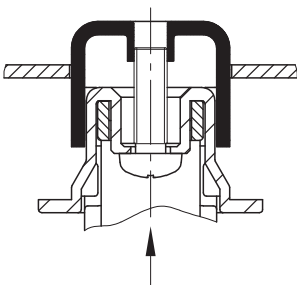


6-160 Compression Latch

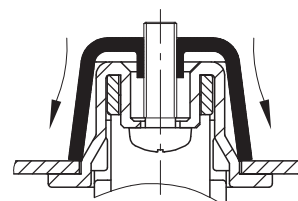
Hand operable with or without key, Push to close, Adjustable compression



Slide latch through the cutout WITHOUT DIS-ASSEMBLING the bracket...



...rotate screw from outside...



...by rotating the screw the bracket will spread automatically.

Compression Latch	H - 3mm - 24mm (0.118 to 0.945)	H - 22mm - 46mm (0.866 to 1.811)
Non locking	282-9416	282-9419
Keyed alike DIRAK 1333*	282-9417	282-9420
Keyed different*	282-9418	282-9421
* with stainless dust-shutter		

Order separately:		
a) Screw with rubber buffer	202-1001	202-1001