

6-127SL Slam Latch SNAP-LINE

Tool-less assembly, Hand operable with or without key, Push to close, Low profile

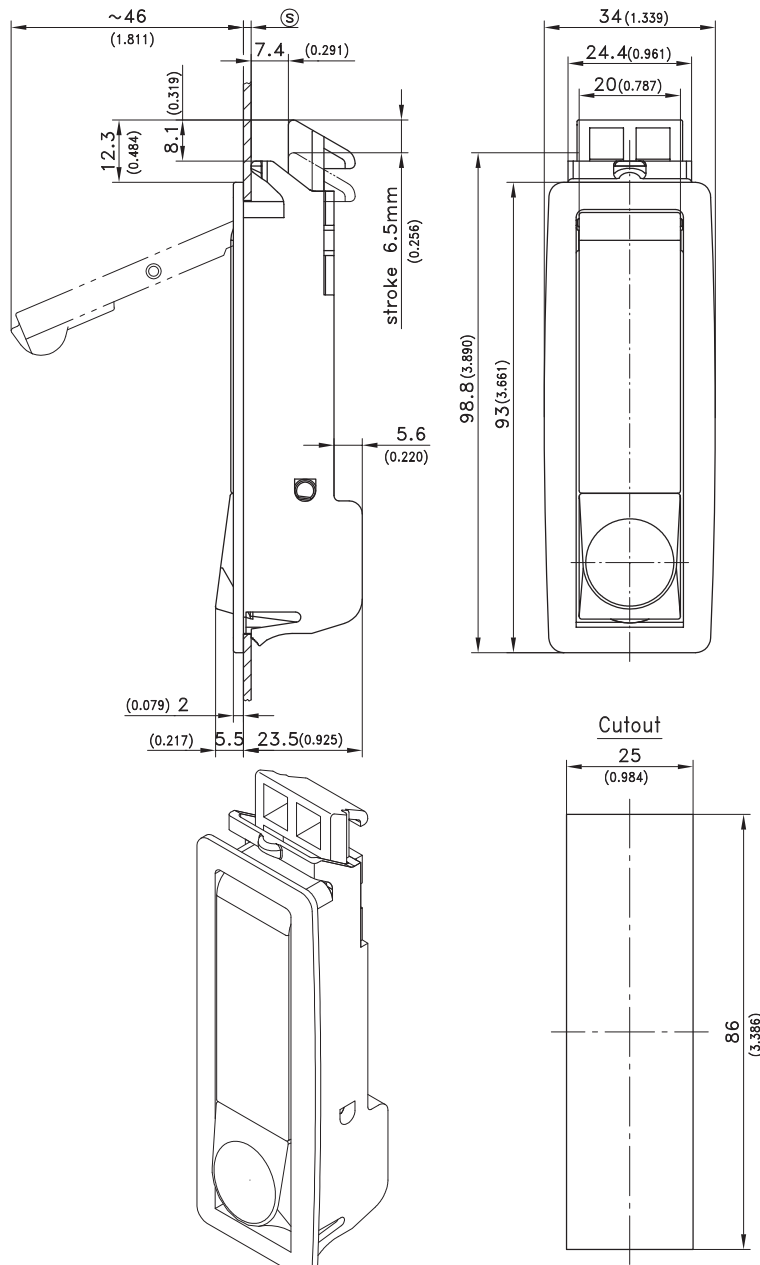


Product Notes:

- Accommodates sheet metal thickness of 1.5 - 2 mm
- Designed for light duty applications
- Pre-assembled latch can be installed in panel

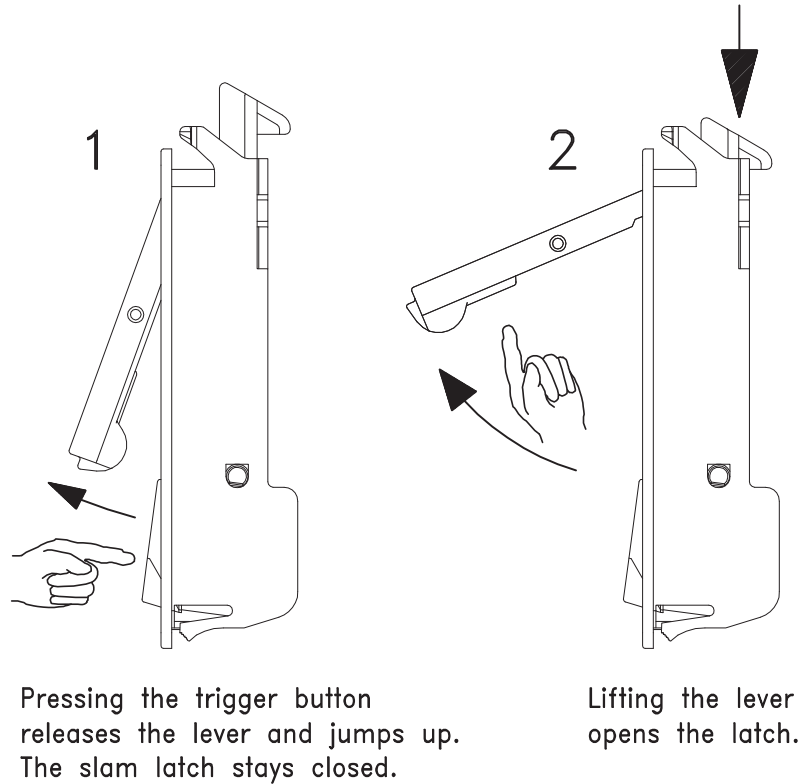
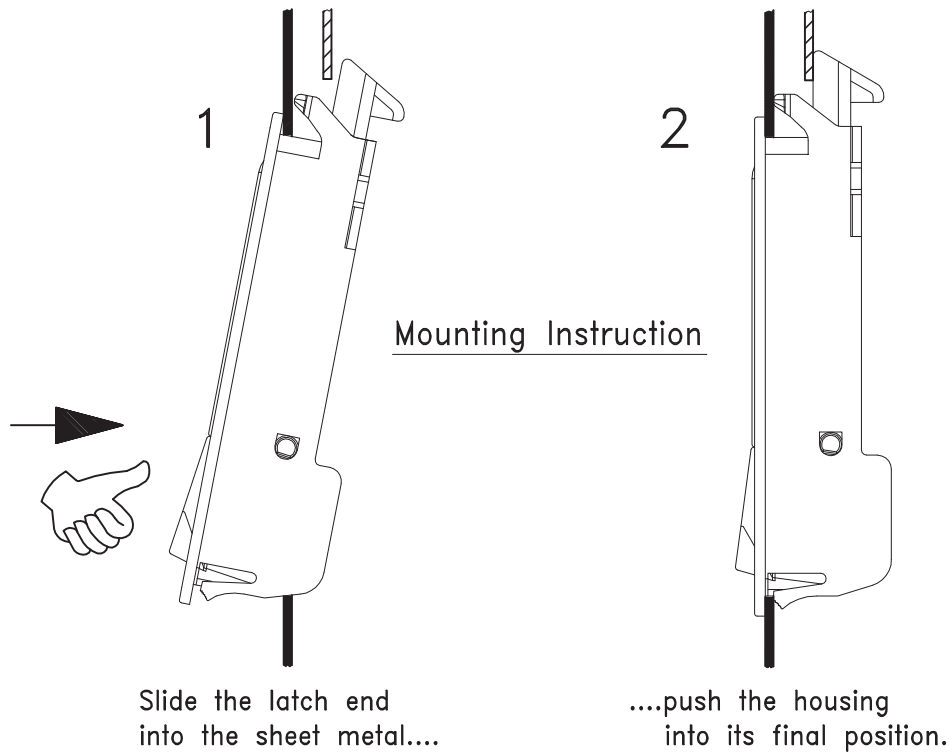
Material:

- **Slam latch, cpl.:** PA, Black
- **Leg spring:** Stainless Steel
- **Spring for slam:** Spring Steel



6-127SL Slam Latch SNAP-LINE

Tool-less assembly, Hand operable with or without key, Push to close, Low profile



Latch	Clamping Range [Ⓢ] 1.5 mm - 2mm (0.059 - 0.079)
Non locking	282-9501
Keyed alike DIRAK 1333*	282-9502
Keyed different*	282-9503
* with stainless dust-shutter	