

4-400 Hinge PA Pr01 180° 60x40

Nested door

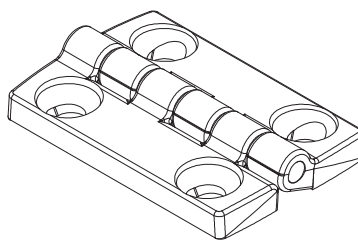
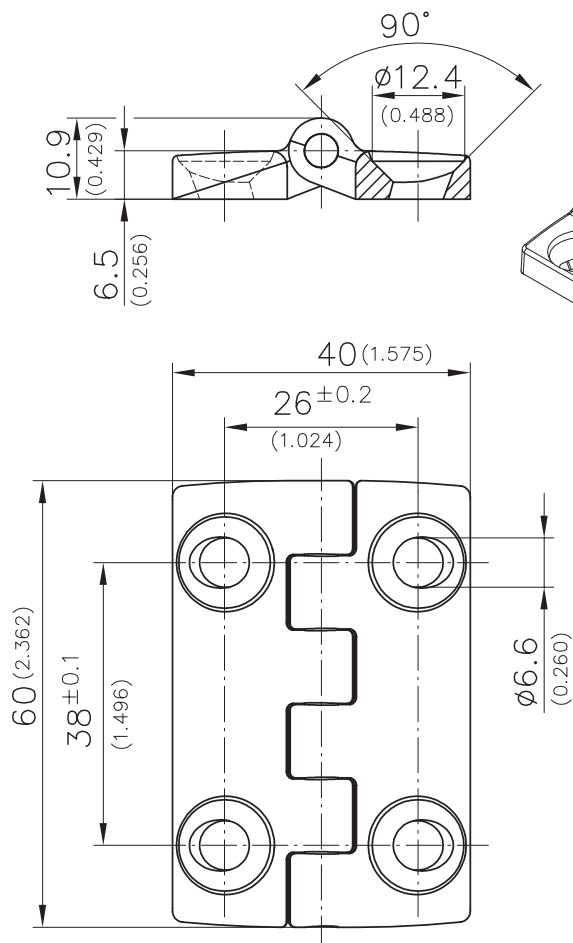
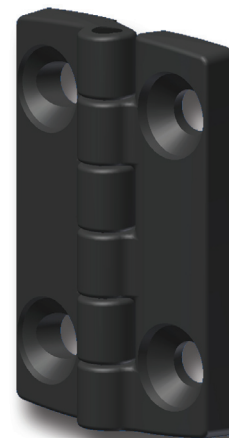


Product Notes:

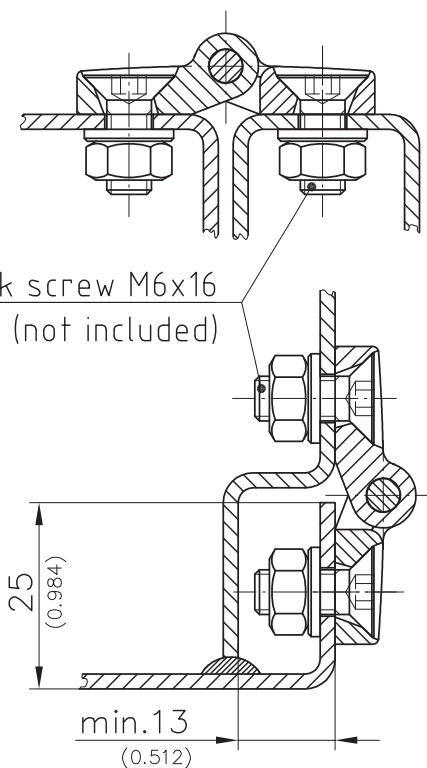
- 180° opening angle.
- Fasten to panel with countersunk screws according to DIN 7991, or DIN ISO 10642 and DIN 965 or DIN ISO 7046
- RH and LH application
- Captive pin to prevent loosening and falling out
- Tight tolerance in knuckles insures proper alignment
- Six part knuckle-pin assembly
- Lightweight
- Corrosion and flame resistant
- Rounded corners

Material:

- Hinge: PA6, black



Example of applications



Hinge PA

Part No.
218-9220