

# 4-346SL Hinge Pr01 SNAP-LINE 160°

Tool-less installation, Nested door, Lift-off

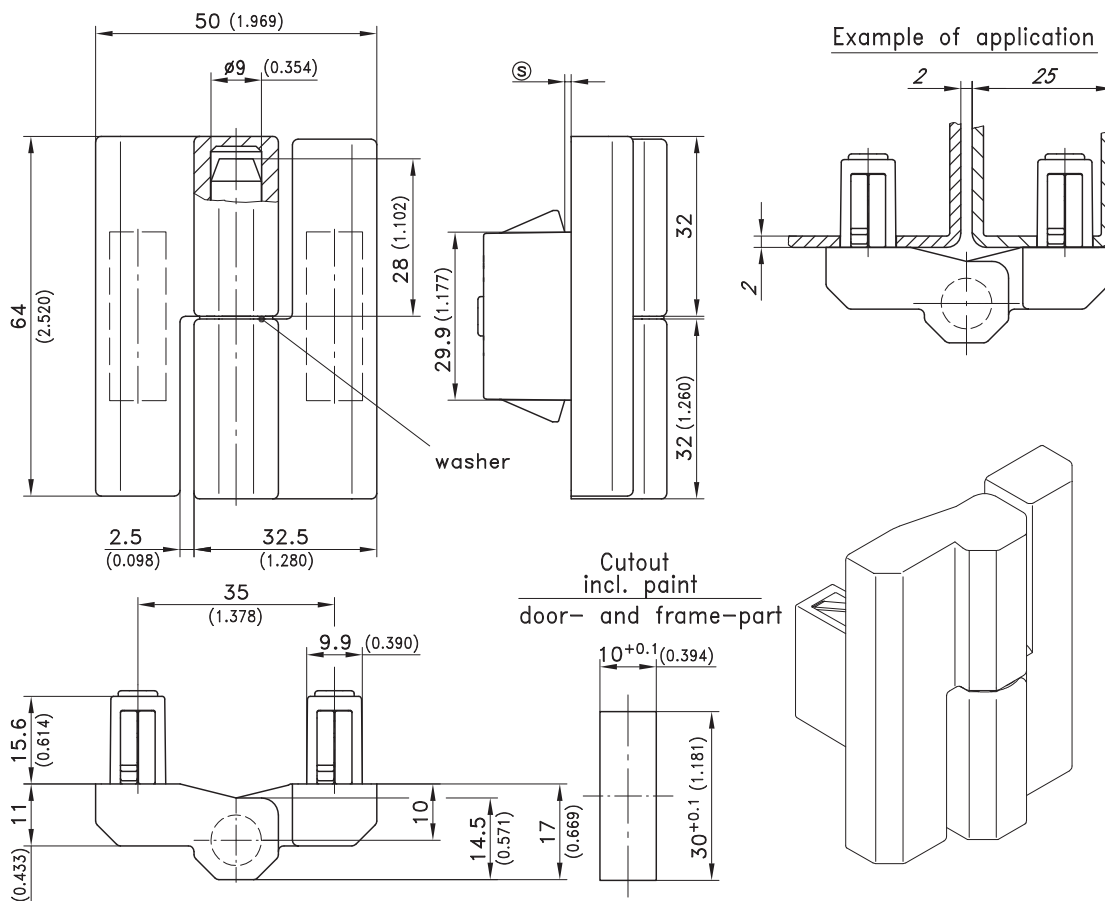


## Product Notes:

- Lift-off
- 160° opening angle
- Installed by a simple push into the cutout
- Screw-on - see Product System 4-346

## Material:

- **Leaves:** Zinc Die, Matt Black
- **Solid Pin, pressed in:** Stainless Steel
- **Washer:** Teflon, Black
- **Wings:** Sintered Steel



	Clamping Range <sup>Ⓢ</sup>	Part No.	See Page
<b>160° Hinge, RH (as drawn)</b>	0.7 - 1.2	417-9007.00-00010	
	1.2 - 1.7	417-9007.00-00015	
	1.7 - 2.2	417-9007.00-00020	
	2.7 - 3.2	417-9007.00-00030	
<b>Hinge, LH</b>	0.7 - 1.2	417-9008.00-00010	
	1.2 - 1.7	417-9008.00-00015	
	1.7 - 2.2	417-9008.00-00020	
	2.7 - 3.2	417-9008.00-00030	
<b>Cover for cutout 30x10mm</b>		292-0401.00-03010	10.14
<b>Reinforcement plate for cutout 30x8 and 30x10mm</b>		292-0702.15-01030	10.16
<b>Tool for uninstallation</b>		292-0306.80-02530	10.17