

4-346 Hinge Pr01 160°

Nested door, Lift-off

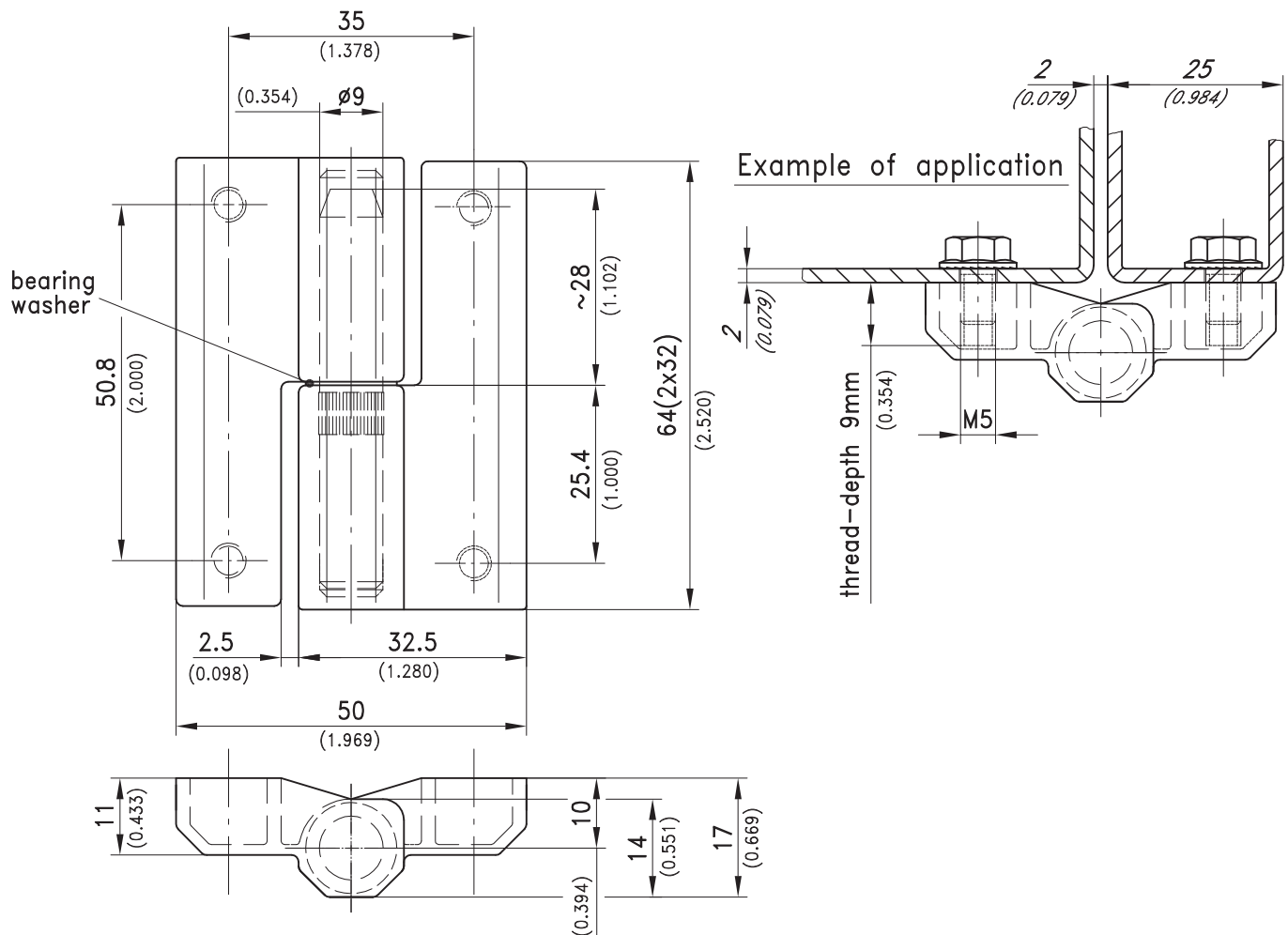
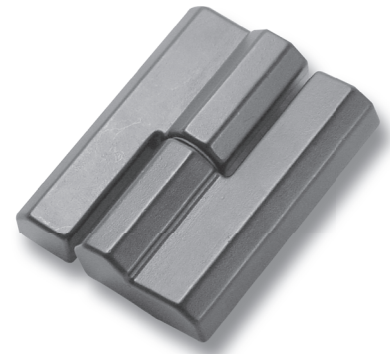


Product Notes:

- Fasten to panel with screws
- Lift-off
- Installation screws are concealed
- Tool-less installation - see Product System 4-346SL

Material:

- **Leaves:** Zinc Die, Chrome Plated or Black Coated
- **Pin:** Stainless Steel
- **Bearing washer:** Teflon, Black or White



	Chrome Plated RH (as drawn)	Chrome Plated LH	Black RH (as drawn)	Black LH
Screw-on hinge	217-9507	217-9508	217-9509	217-9510
4 screws M5x8 with under head serrations and a Teflon bearing washer are included.				