

7-125 Hinge Pr01 180°

Nested door, Stainless Steel, Heavy duty

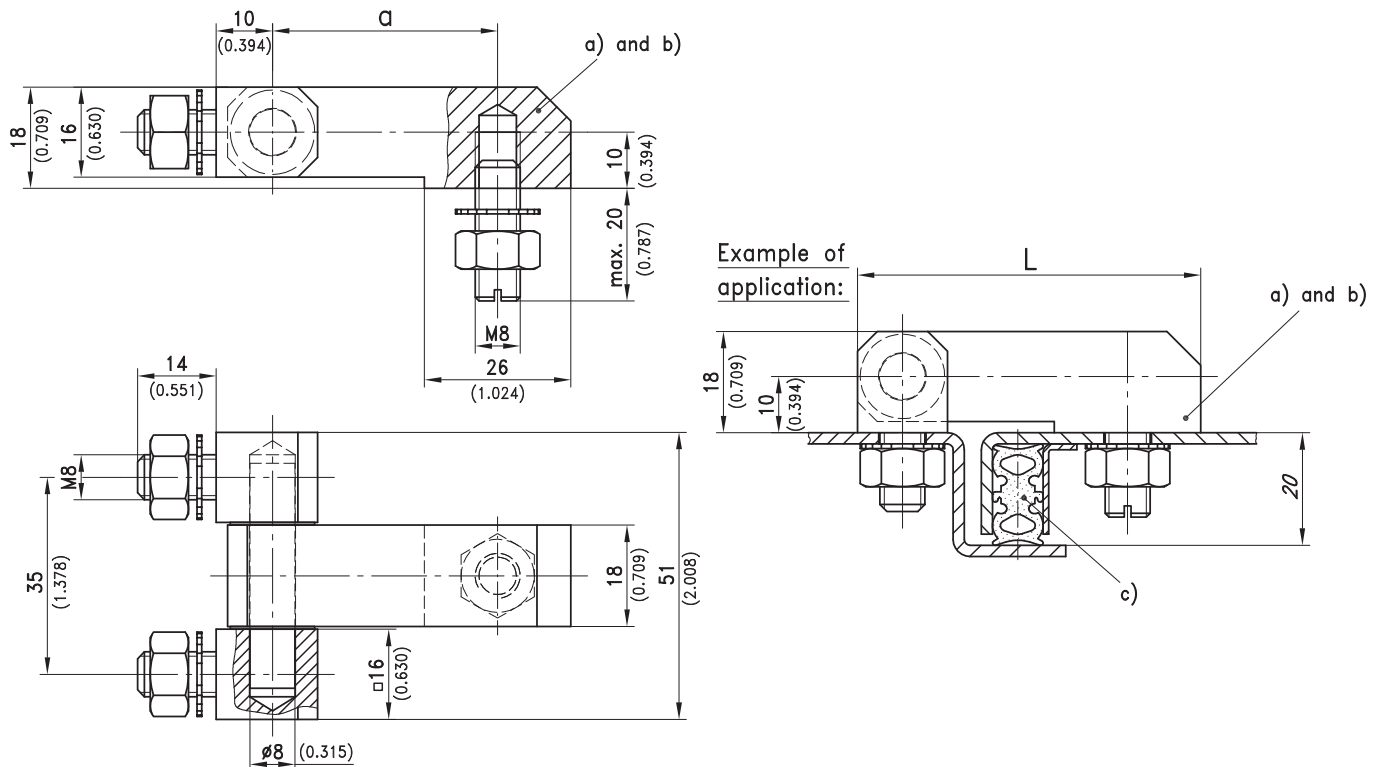
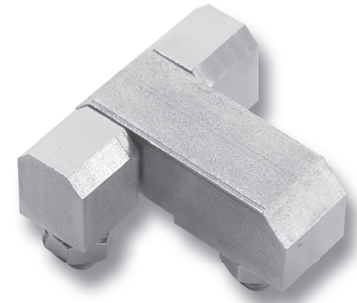


Product Notes:

- Fasten to panel with screws
- Heavy duty
- Zinc die - see Product System 4-230

Material:

- **Head and middle part, pin, nuts and washers:** Stainless Steel AISI 304



	Dimension L	Dimension a	Part No.	See Page
a) Hinge	50/1.969	29/1.142	219-9107	
b) Hinge	61/2.402	40/1.575	219-9108	
Stud, 3 nuts and serrated washers are included.				
c) Clip-on profile			209-0122	05.08