

# 7-123 Hinge Pr01 180°

Nested door, Stainless Steel

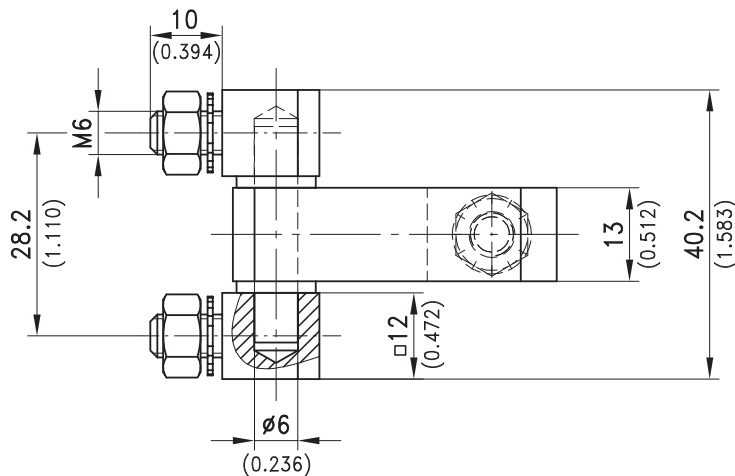
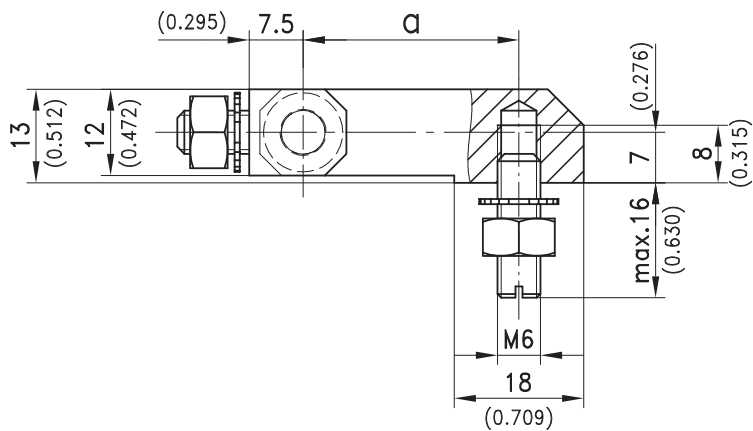
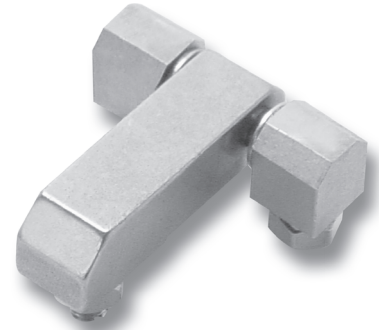


## Product Notes:

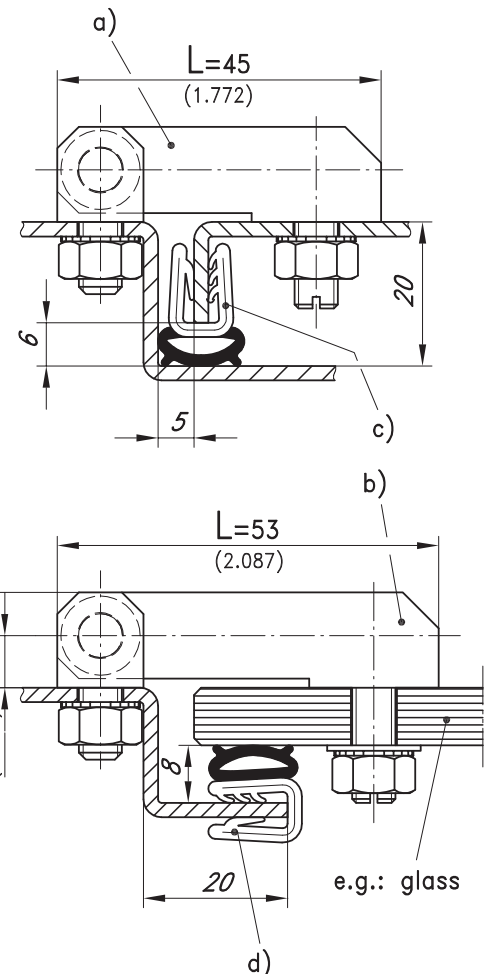
- Fasten to panel with screws
- Zinc die - see Product System 4-194

## Material:

- **Head and middle part, pin, nuts and washers: Stainless Steel AISI 304**



## Examples of application



	Dimension L	Dimension a	Part No.	See Page
a) Hinge	45/1.772	30/1.181	219-9006	
b) Hinge	53/2.087	38/1.496	219-9007	
<b>Stud, 3 nuts and serrated washers are included.</b>				
c) Clip-on profile			209-0201	05.12
d) Clip-on profile			209-0202	05.14