

4-355SL Hinge Pr01 SNAP-LINE 180°

Frame leaf tool-less installation, Nested door

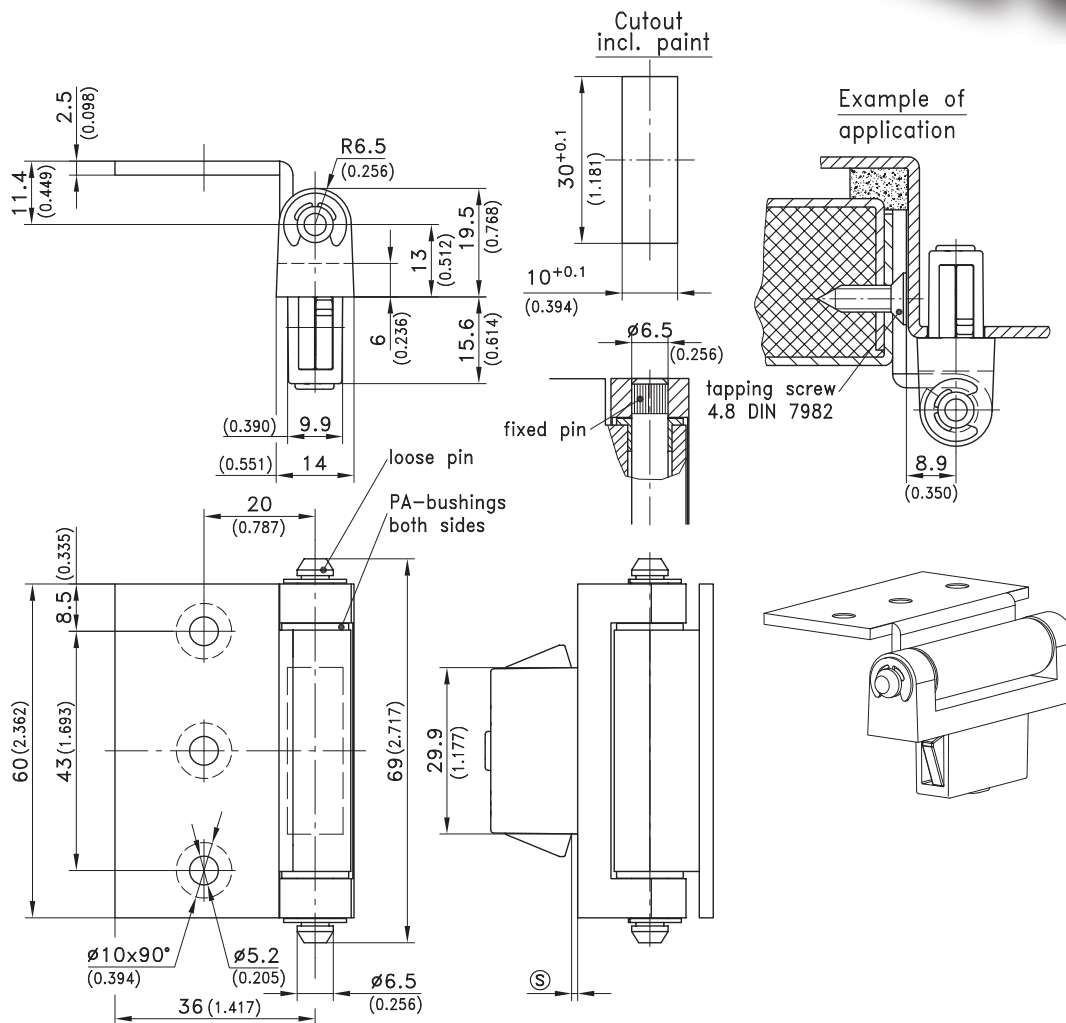


Product Notes:

- RH and LH application
- Frame leaf features tool-less installation.
Door leaf fastens to panel with M5 screws in countersunk holes
- Other data and dimensions - see Product System 4-355
- Screw-on - see Product System 4-355

Material:

- **Leaves:** Zinc Die, Black
- **Loose pin:** Steel, Zinc Plated
- **Fixed pin:** Stainless Steel
- **Bushings:** PA, Natural
- **Washers:** Steel, Zinc Plated
- **Wings:** Sintered Metal, Coated



	Clamping Range $\text{\textcircled{S}}$	Loose Pin	Fixed Pin	See Page
180° Hinge	1.2 - 1.7	417-9103.00-00015	417-9108.00-00015	
	1.7 - 2.2	417-9103.00-00020	417-9108.00-00020	
	2.2 - 2.7	417-9103.00-00025	417-9108.00-00025	
	2.7 - 3.2	417-9103.00-00030	417-9108.00-00030	
Other $\text{\textcircled{S}}$ dimensions on request				
Cover for cutout 30x10mm		292-0401.00-03010	292-0401.00-03010	10.14
Reinforcement plate for cutout 30x8 and 30x10mm		292-0702.15-01030	292-0702.15-01030	10.16
Tool for uninstallation		292-0306.80-02530	292-0306.80-02530	10.17