

4-355 Hinge Pr01 180°

Nested door, PA bushings

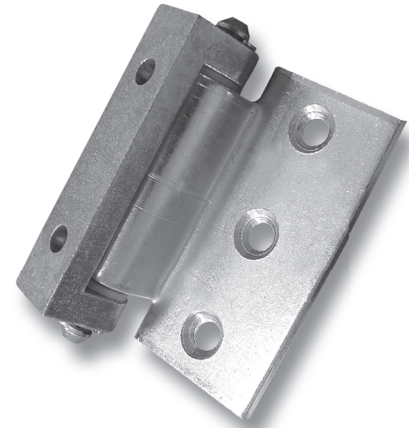


Product Notes:

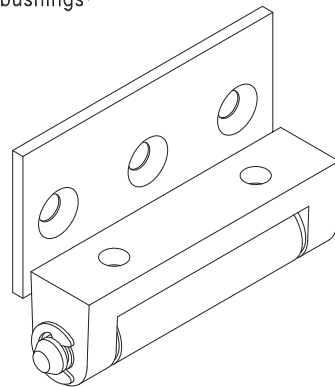
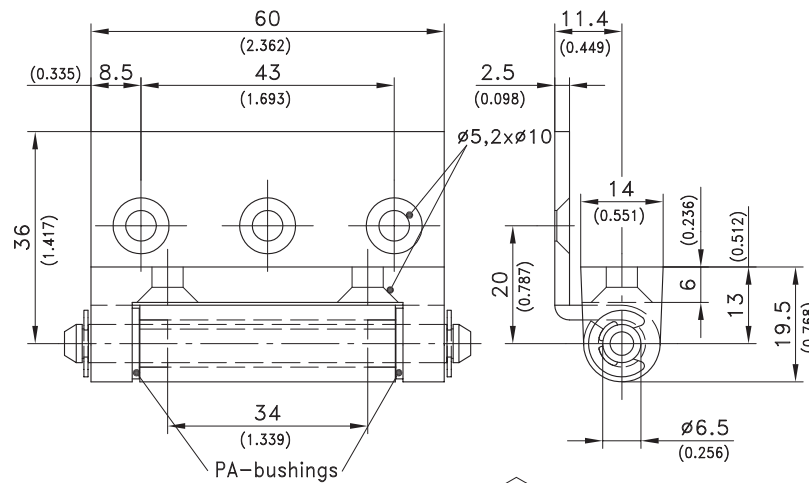
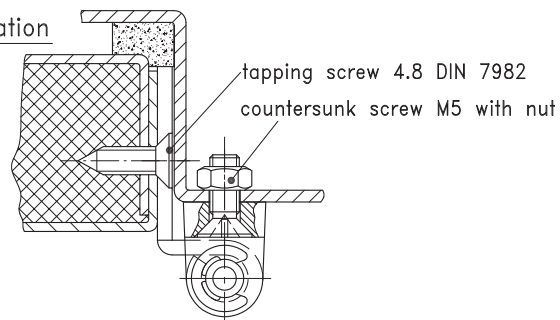
- RH and LH application
- Fasten to panel with screws
- Tool-less installation - see Product System 4-355SL

Material:

- **Frame leaf:** Zinc Die, Zinc Plated
- **Door leaf:** Steel, Zinc Plated
- **Pin:** Steel, Zinc Plated
- **Bushings:** PA, Natural



Example of application



	Part No.	See Page
Hinge	217-9501	10.23
Countersunk machine screws Zinc Plated		