

4-350SL Hinge Pr01 SNAP-LINE 180°

Frame leaf tool-less installation, Nested door, Adjustable

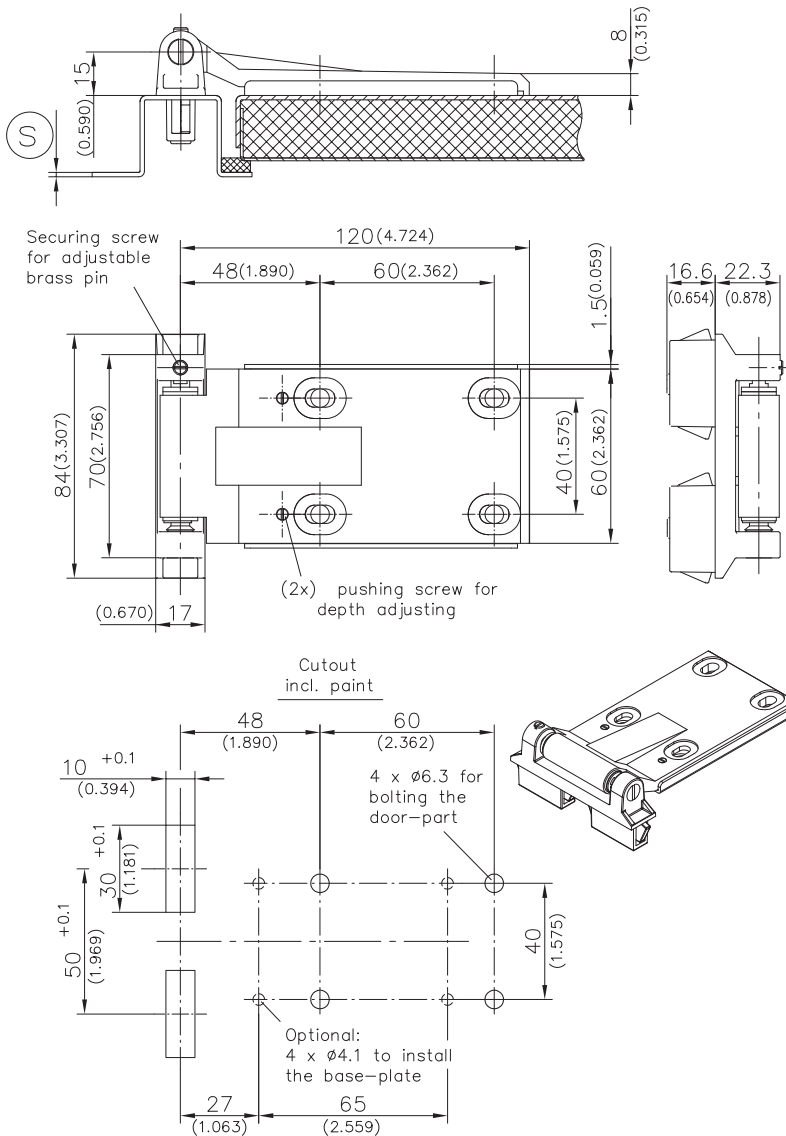
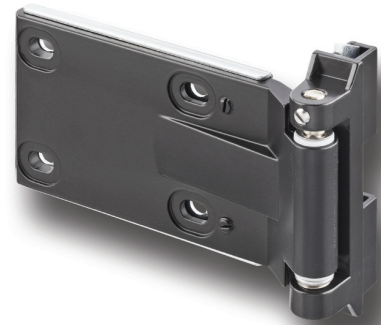


Product Notes:

- Frame leaf features tool-less installation.
- Door leaf fastens to panel with screws
- Adjustable in three dimensions
- Other data and dimensions - see Product System 4-350.
- Screw-on - see Product System 4-350

Material:

- **Leaves:** Zinc Die, Black
- **Base-plate:** Steel, Zinc Plated
- **Pin:** Brass, Untreated, Stainless Steel - on request
- **Wings:** Sintered Metal, Coated
- **Bushings:** PA, Natural
- **Studs, bearing washer and c-clips:** Stainless Steel



	Clamping Range Ⓢ	RH	LH (as drawn)	See Page
180° Hinge	1.2 - 1.7	417-9002.00-00015	417-9003.00-00015	
	1.7 - 2.2	417-9002.00-00020	417-9003.00-00020	
	2.2 - 2.7	417-9002.00-00025	417-9003.00-00025	
	2.7 - 3.2	417-9002.00-00030	417-9003.00-00030	
Cover for cutout 30x10mm		292-0401.00-03010	292-0401.00-03010	10.14
Reinforcement plate for cutout 30x8 and 30x10mm		292-0702.15-01030	292-0702.15-01030	10.16
Tool for uninstallation		292-0306.80-02530	292-0306.80-02530	10.17