

7-225 Hinge Pr01 180°

Nested door, Stainless Steel, Adjustable

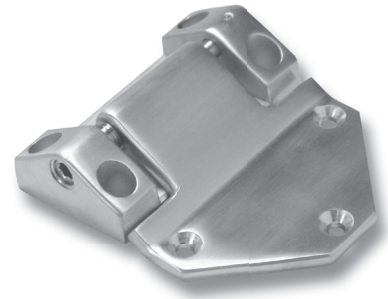


Product Notes:

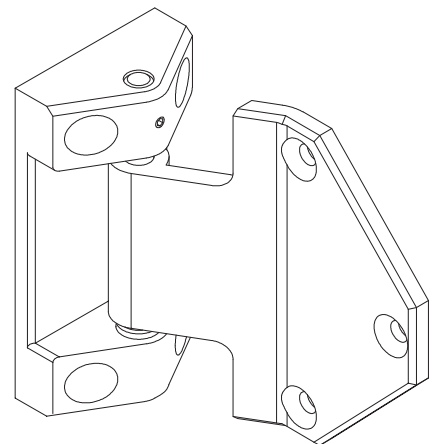
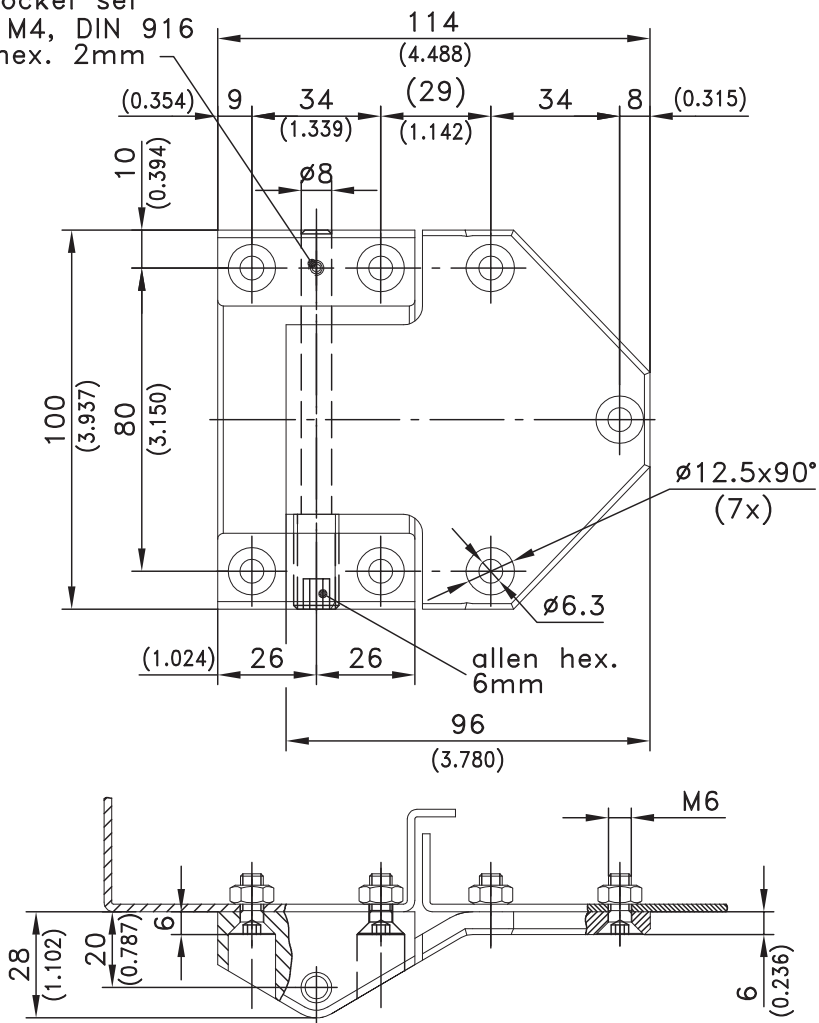
- Fasten to panel with screws
- Threaded hinge pin allows for height adjustment of $\pm 4\text{mm}$
- Properties of material AISI 316 Ti:
The titanium increases the corrosion resistance, particularly the intercrystalline corrosion at the grain boundaries

Material:

- **all parts:** Stainless Steel AISI 316 Ti, Satin Polished



hex. socket set screw M4, DIN 916
allen hex. 2mm



Hinge

Part No.
217-9605