

# 4-340SL Hinge Pr01 SNAP-LINE 180°

Frame leaf tool-less installation, Nested door

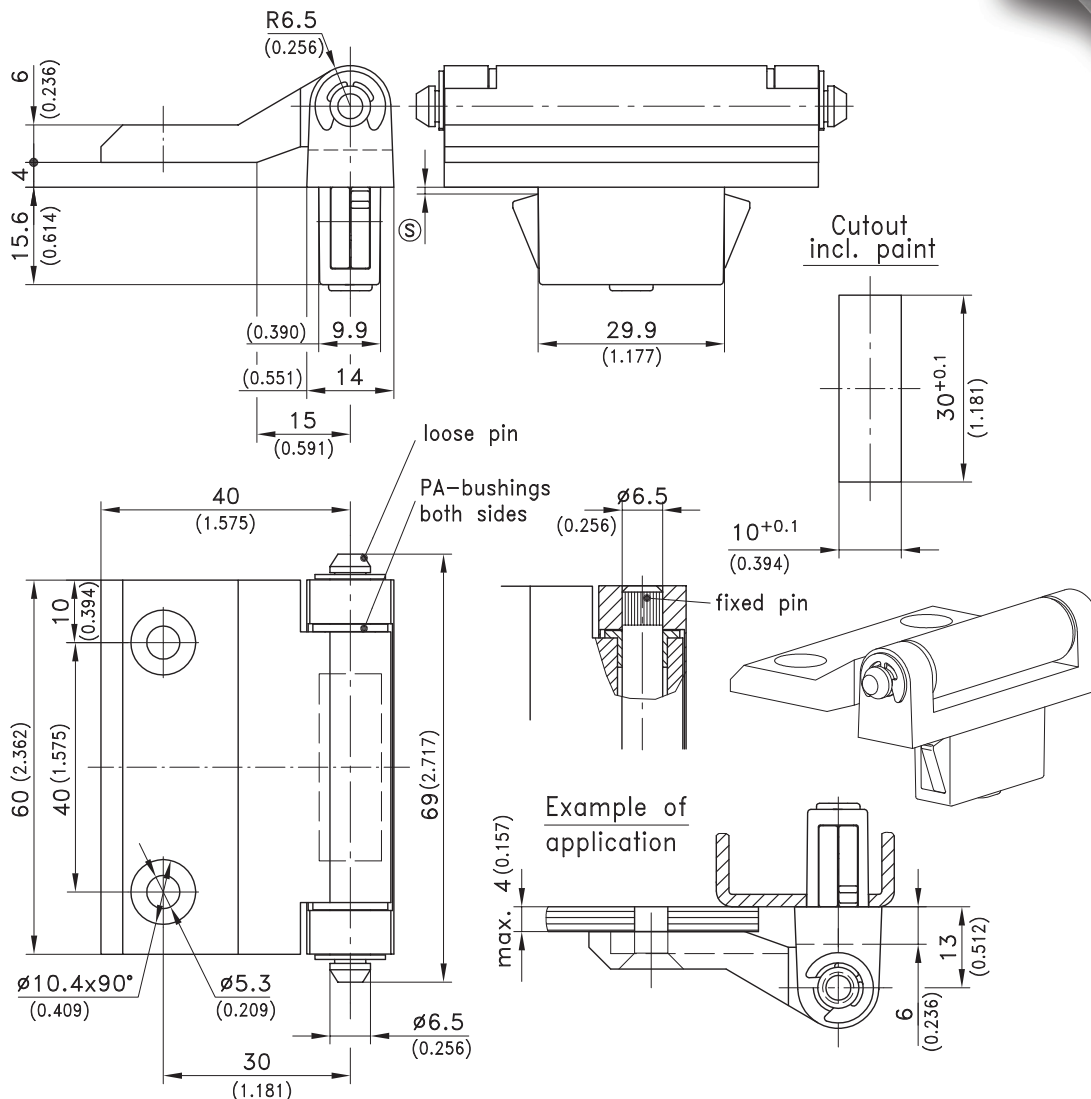


## Product Notes:

- 180° opening angle
- Frame leaf features tool-less installation.  
Door leaf fasten to panel with screws in countersunk holes
- Other data and dimensions - see Product System 4-340.
- Screw-on - see Product System 4-340

## Material:

- **Leaves:** Zinc Die, Black
- **Loose and fixed pin:** Stainless Steel
- **Bushings:** PA, Natural
- **Washers:** Stainless Steel
- **Wings:** Sintered Steel



	Clamping Range <sup>Ⓢ</sup>	Loose Pin	Fixed Pin	See Page
<b>180° Hinge</b>	1.2 - 1.7	417-9106.00-00015	417-9109.00-00015	
	1.7 - 2.2	417-9106.00-00020	417-9109.00-00020	
	2.2 - 2.7	417-9106.00-00025	417-9109.00-00025	
	2.7 - 3.2	417-9106.00-00030	417-9109.00-00030	
<b>Other <sup>Ⓢ</sup> dimensions on request</b>				
<b>Cover for cutout 30x10mm</b>		292-0401.00-03010	292-0401.00-03010	10.14
<b>Reinforcement plate for cutout 30x8 and 30x10mm</b>		292-0702.15-01030	292-0702.15-01030	10.16
<b>Tool for uninstallation</b>		292-0306.80-02530	292-0306.80-02530	10.17