

7-220 Hinge Pr01 200°

Nested door, Stainless Steel

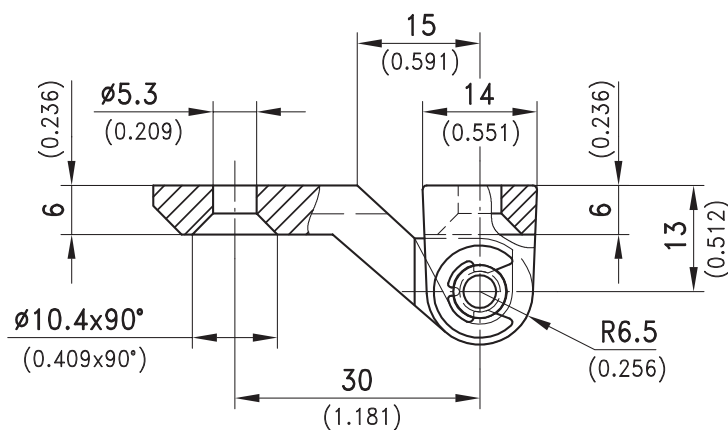
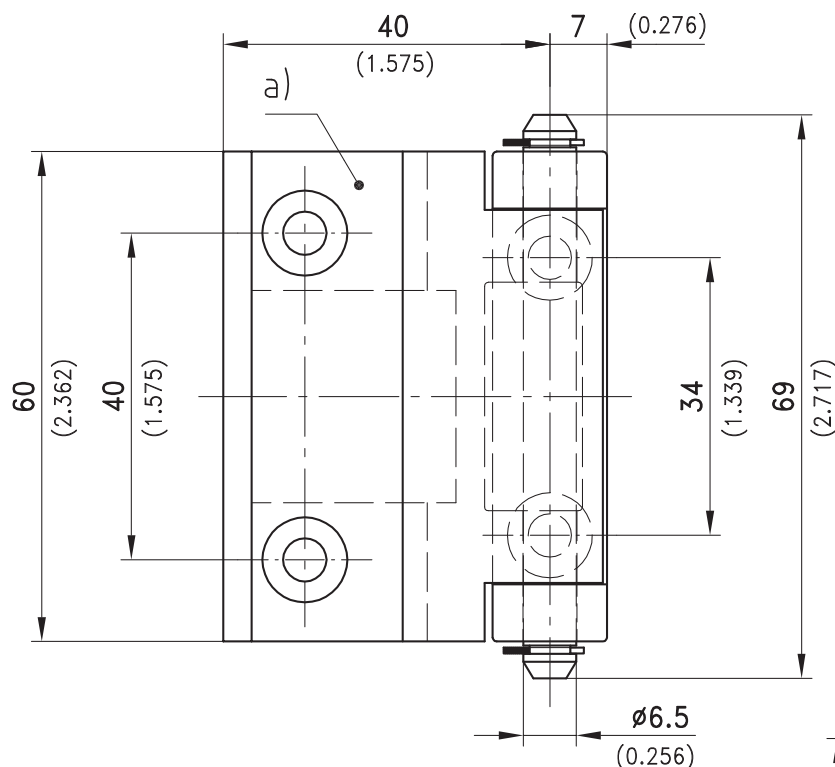


Product Notes:

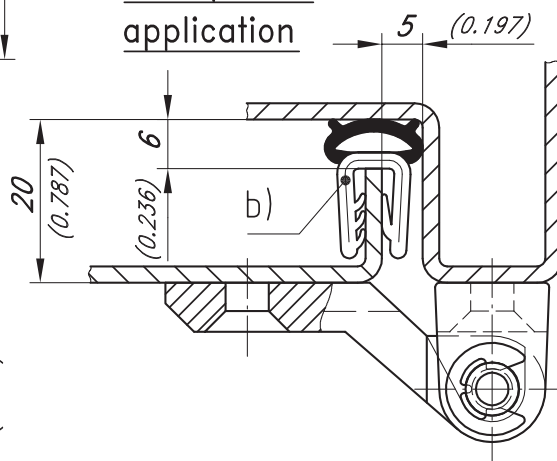
- 200° opening angle
- RH and LH application
- Accommodates narrow frame widths
- Zinc die - see Product System 4-330
- Tool-less installation - see Product System 4-330SL

Material:

- **Hinge parts:** Stainless Steel AISI 316
- **Washers:** Stainless Steel



Example of application



	Part No.	See Page
a) Hinge	217-9601	
b) Clip-on profile	209-0201	05.12