

4-330 Hinge Pr01 180°

Nested door, PA bushing

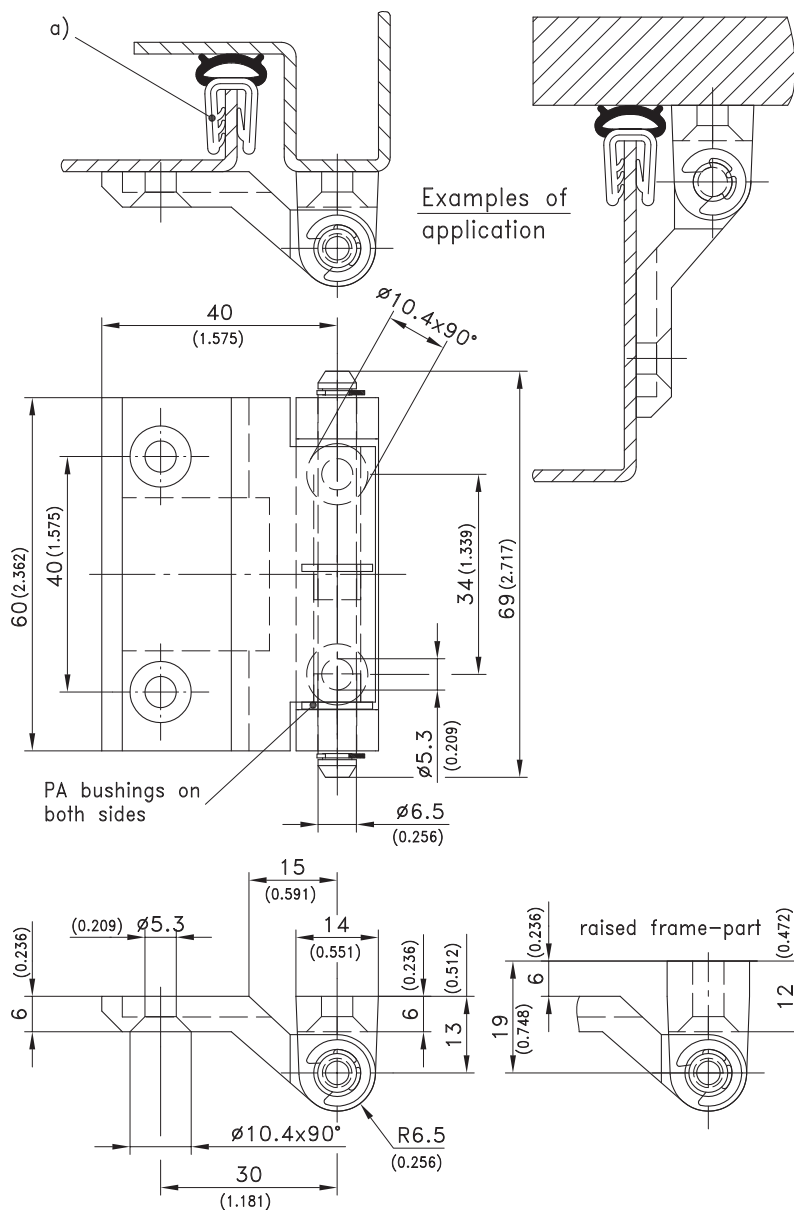


Product Notes:

- 180° opening angle
- PA bushings
- Tool-less installation - see Product System 4-330SL
- Stainless steel - see Product System 7-200

Material:

- **Leaves:** Zinc Die, Chrome Plated or Black Coated
- **Pin:** Stainless Steel or Steel, Zinc Plated
- **Bushings:** PA, Natural



Version	Standard Frame Leaf Chrome Plated	Standard Frame Leaf Black	Raised Frame Leaf Chrome Plated	Raised Frame leaf black	See Page
Hinge with PA bushings					
Pin: steel Zinc Plated	217-9109	217-9101	217-9116	217-9103	
Pin: Stainless Steel	217-9110	217-9102	217-9117	217-9104	
Countersunk machine screws Zinc Plated					10.23
a) Clip-on profile					209-0201 05.12