

7-222 Hinge Pr01 180°

Nested door, Stainless Steel, Detent

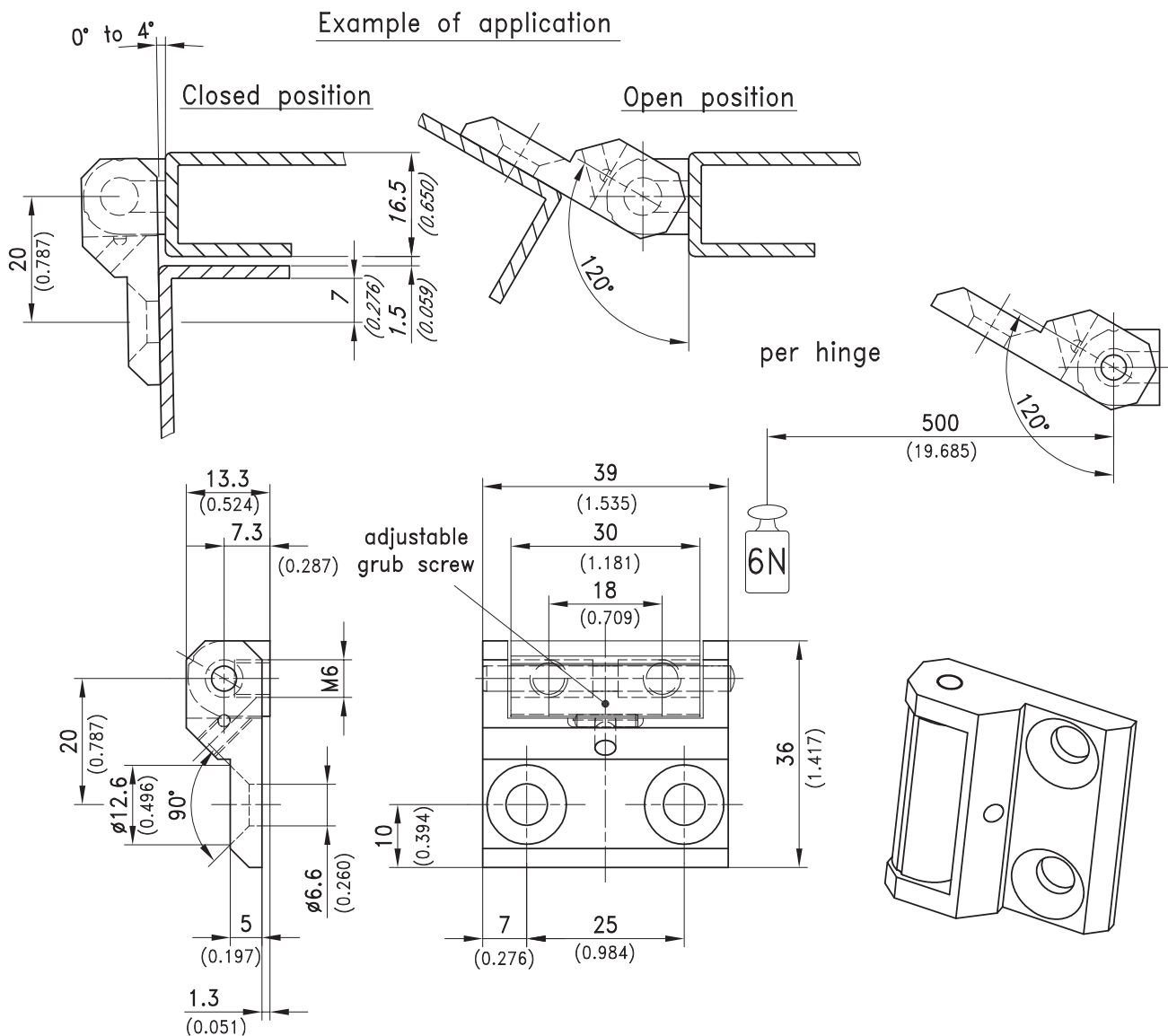


Product Notes:

- Heavy duty
- Detent positions at 0° and 120°

Material:

- **Frame leaf:** Stainless Steel AISI 440B, Untreated, Hardened
- **Door leaf:** Stainless Steel AISI 440B, Black Coated, Hardened
- **Pins:** Steel, Hardened



Detent Hinge

Part No.

250-9103

Screw-on Hinge (without detent function)

250-9104